



ESKH1848S
ESKH2352S
ESKH2561S
ESKW1948S
ESKW2352S

Scorpion



OPERATOR'S & PARTS MANUAL

Effective With Serial Numbers:

664410001 66451046
664610001 664710001
664810001



WARNING: The Engine Exhaust from this product contains chemicals known to the State of California to cause cancer, birth defects or other reproductive harm.

California Proposition 65 Warning

All information, illustrations and specifications in this manual are based on the latest information at the time of publication. The right is reserved to make changes at any time without notice.

COPYRIGHT© 2006
Auburn Consolidated Industries, Inc.
 All rights reserved
 Previous Editions
COPYRIGHT©

Introduction

Using Your Operator's Manual

This manual is an important part of your machine and should remain with the machine when you sell it.

Use the safety and operating information in the machine operator's manual to operate and service the machine safely and correctly.

An engine manufacturer's owner's manual has been provided with your machine. This will provide maintenance and troubleshooting information for the engine installed in your machine.

Specifications and design are subject to change without notice.

Special Messages

Your manual contains special messages to bring attention to potential safety concerns, machine damage as well as helpful operating and servicing information. Please read all the information carefully to avoid injury and machine damage.



CAUTION: Avoid injury! This symbol and text highlight potential hazards or death to the operator or bystanders that may occur if the hazards or procedures are ignored.

IMPORTANT: Avoid Damage! This text is used to tell the operator of actions or conditions that might result in damage to the machine.

NOTE: General information is given throughout the manual that may help the operator in the operation or service of the machine.

Product Identification

Record Identification Numbers

Scorpion

ESKH18-48S Serial Number (664410001-)

ESKH23-52S Serial Number (664510046-)

ESKH25-61S Serial Number (664610001-)

ESKW19-48S Serial Number (664710001-)

ESKW23-52S Serial Number (664810001-)

If you need to contact an Authorized Service Center for information on servicing, always provide the product model and serial numbers.

You will need to locate the model and serial numbers for the machine and for the engine of your machine and record the information in the spaces provided.

DATE OF PURCHASE:

DEALER NAME:

DEALER PHONE:

PRODUCT IDENTIFICATION NUMBER:

Model Number

Serial Number

SAFETY LABELS

ENGINE MODEL, SPECIFICATION, AND SERIAL NUMBER:

Model Number _____

Specification _____

Serial Number _____

Safety Labels

Understanding The Machine Safety Labels



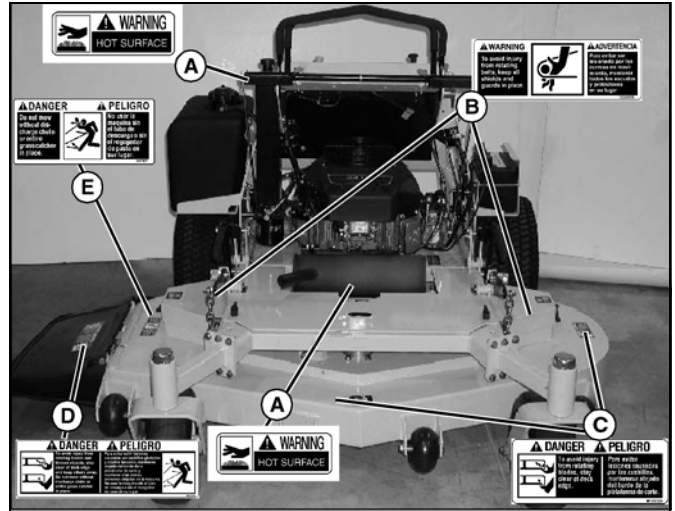
Safety-Alert Symbol

The machine safety labels shown in this section are placed in important areas on your machine to draw attention to potential safety hazards.

On your machine safety labels, the words DANGER, WARNING, and CAUTION are used with this safety-alert symbol. DANGER identifies the most serious hazards.

The operator's manual also explains any potential safety hazards whenever necessary in special safety messages that are identified with the word, CAUTION, and the safety-alert symbol.

Safety Labels



MX20097

WARNING (A)

Hot Surface.

WARNING (B)

To avoid injury from rotating belts, keep all shields and guards in place.

DANGER (C)

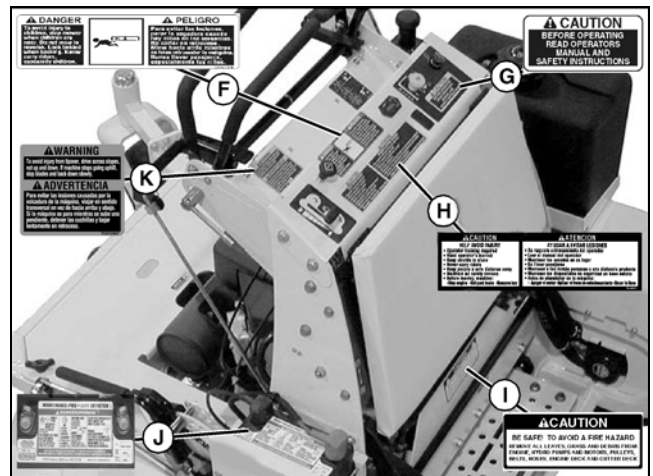
To avoid injury from rotating blades, stay clear of deck edge.

DANGER (D)

To avoid injury from rotating blades and thrown objects, stay clear of deck edge and keep others away. Do not mow without discharge chute or entire grass catcher in place.

DANGER (E)

Do not mow without discharge chute or entire grass catcher in place.



MX20138

DANGER (F)

To avoid injury to children, stop mower when children are near. Do not mow in reverse. Look behind when backing. Never carry riders, especially children.

CAUTION: (G)

Before operating read operators manual and safety instructions.

SAFETY

CAUTION: HELP AVOID INJURY (H)

- Operator training required
- Read operator's manual
- Keep shields in place
- Never carry riders
- Keep people a safe distance away
- Maintain all safety devices
- Before leaving machine:
 - Stop engine
 - Set park brake
 - Remove key

CAUTION (I)

Be safe! To avoid a fire hazard remove all leaves, grass and debris from engine, hydro pumps and motors, pulleys, belts, hoses, engine deck and cutter deck.

DANGER/POISON (J)

- Shield Eyes: Explosive gases can cause blindness or injury.
- NO
 - Sparks
 - Flames
 - Smoking
- Sulfuric acid can cause blindness or severe burns.
- Flush eyes immediately with water. Get medical help fast.
- Keep out of reach of children.
- Do not tip.
- Do not open battery.

WARNING (K)

To avoid injury from tipover, drive across slopes, not up and down. If machine stops going uphill, stop blades and back down slowly.

Emission Control System Certification Label

NOTE: Tampering with emission controls and components by unauthorized personnel may result in severe fines or penalties. Emission controls and components can only be adjusted by EPA and/or CARB authorized service centers. Contact your EverRide® Equipment Retailer concerning emission controls and component questions.

The presence of an emissions label signifies that the engine has been certified with the United States Environmental Protection Agency (EPA) and/or California Air Resources Board (CARB).

The emissions warranty applies only to those engines marketed by EverRide that have been certified by the EPA and/or CARB; and used in the United States and Canada in off-road mobile equipment.

Emission Compliance Period

If your engine has the emission compliance category listed on the emission control system certification or air index label, this indicates the number of operating hours for which the engine has been certified to meet EPA and/or CARB emission requirements. The following table provides the engine compliance period in hours associated with the category found on the certification label.

Agency	Category	Hours
EPA	C	250
EPA	B	500
EPA	A	1000
CARB	Moderate	125
CARB	Intermediate	250
CARB	Extended	500

Certification

Your product has been tested and evaluated by the manufacturer and conforms with American National Standard B-71.4, "Safety Specifications" for commercial turf care equipment.

Safety

Operator Training Required

- Read the operator's manual and other training material. If the operator or mechanic cannot read English, it is the owner's responsibility to explain this material to them. This publication is available in other languages.
- Become familiar with the safe operation of the equipment, operator controls, and safety signs.
- All operators and mechanics should be trained. The owner of the machine is responsible for training the users.
- Never let children or untrained people operate or service the equipment. Local regulations may restrict the age of the operator.
- The owner/user can prevent and is responsible for accidents or injuries occurring to themselves, other people, or property.
- Operate the machine in an open, unobstructed area under the direction of an experienced operator.

Preparation

- Evaluate the terrain to determine what accessories and attachments are needed to properly and safely perform the job. Only use accessories and attachments approved by the manufacturer.
- Wear appropriate clothing including hard hat, safety glasses and hearing protection. Long hair, loose clothing or jewelry may get tangled in moving parts.
- Inspect the area where the equipment is to be used and remove all objects such as rocks, toys and wire which can be thrown by the machine.
- Use extra care when handling gasoline and other fuels. They are flammable and vapors are explosive.
 - a. Use only an approved container.
 - b. Never remove gas cap or add fuel when engine is running. Do not smoke.
 - c. Never refuel or drain the machine indoors.
- Check that the operator's presence controls, safety switches and shields are attached and functioning properly. Do not operate unless they are functioning properly.

Operating Safely

- Never run an engine in an enclosed area where dangerous carbon monoxide fumes can collect.

SAFETY

- Only operate in good light, keeping away from holes and hidden hazards.
- Be sure all drives are in neutral and parking brake is engaged before starting engine. Only start engine from the operator's position. Use seat belts if provided.
- Slow down and use extra care on hillsides. Be sure to travel in the recommended direction on hillsides. For this machine, drive across hillsides, not up and down. Turf conditions can affect the machine's stability. Use caution while operating near drop-offs.
- Slow down and use caution when making turns and when changing directions on slopes.
- Never raise deck with the blades running.
- Never operate with the PTO shield, or other guards, not securely in place. Be sure all interlocks are attached, adjusted properly, and functioning properly.
- Never operate with the discharge deflector raised, removed or altered, unless using a grasscatcher. Do not operate mower without discharge chute or entire grasscatcher in place.
- Do not change the engine governor setting or overspeed the engine. Operating the engine at excessive speed can increase the hazard of personal injury.
- Stop on level ground, lower implements, disengage drives, engage parking brake, and shut off engine before leaving the operator's position for any reason including emptying the grasscatchers or unclogging the chute.
- Stop equipment and inspect blades after striking objects or if an abnormal vibration occurs. Make necessary repairs before resuming operations.
- Keep hands and feet away from the cutting units.
- Look behind and down before backing up to be sure of a clear path.
- Never carry passengers and keep pets and bystanders away.
- Slow down and use caution when making turns and crossing roads and sidewalks. Stop blades if not mowing. Watch for traffic when operating near or crossing roadways.
- Be aware of the mower discharge direction and do not point it at anyone.
- Do not operate the machine while under the influence of alcohol or drugs.
- Use care when loading or unloading the machine into or off of a trailer or truck.
- Use care when approaching blind corners, shrubs, trees, or other objects that may obscure vision.
- Inspect machine before you operate. Be sure hardware is tight. Repair or replace damaged, badly worn, or missing parts. Be sure guards and shields are in good condition and fastened in place. Make any necessary adjustments before you operate.
- Before using, always visually inspect to see that the blades, blade bolts and the mower assembly are not worn and damaged. Replace worn and damaged blades and bolts in sets to preserve balance.
- Keep safety labels visible when installing accessories and attachments.
- Do not wear radio or music headphones. Safe service and operation require your full attention.
- When machine is left unattended, stored, or parked, lower the mower deck unless a positive mechanical lock is used.

Using a Spark Arrestor

The engine in this machine is not equipped with a spark arrestor muffler. It is a violation of California Public Resource Code Section 4442 to use or operate this engine on or near any forest-covered, brush-covered or grass-covered land unless the exhaust system is equipped with a spark arrestor meeting any applicable local or state laws. Other states or federal areas may have similar laws.

A spark arrestor for your machine may be available from your authorized dealer. An installed spark arrestor must be maintained in good working order by the operator.

Checking Mowing Area

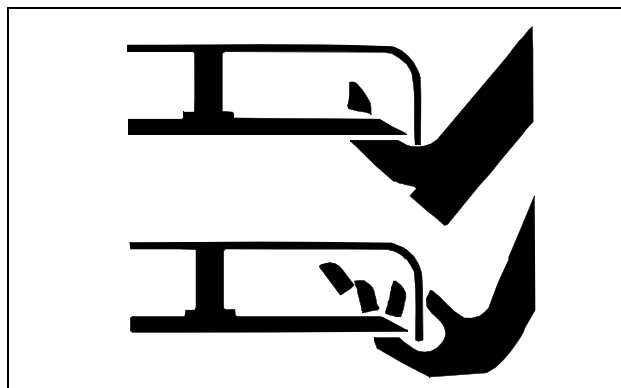
- Evaluate the terrain to determine what accessories and attachments are needed to properly and safely perform the job.
- Clear mowing area of objects that might be thrown. Keep people and pets out of mowing area.
- Study mowing area. Set up a safe mowing pattern. Do not mow where traction or stability is doubtful.
- Test drive area with mower lowered but not running. Slow down when you travel over rough ground.

Parking Safely

1. Stop machine on a level surface, not on a slope.
2. Disengage mower blades.
3. Lock the park brake.
4. Stop the engine.
5. Remove the key.
6. Wait for engine and all moving parts to stop before you leave the operator's station.
7. Close fuel shut-off valve, if your machine is equipped.
8. Disconnect the negative battery cable or remove the spark plug wire (for gasoline engines) before servicing the machine.

Rotating Blades are Dangerous

HELP PREVENT SERIOUS OR FATAL ACCIDENTS:



- Rotating blades can cut off arms and legs, and throw objects. Failure to observe safety instructions could result in serious injury or death.
- Keep hands, feet and clothing away from mower deck when engine is running.
- Be alert at all times, drive forward carefully. People, especially children can move quickly into the mowing area before you know it.

SAFETY

- Do not mow in reverse.
- Shut off blades when you are not mowing.
- • Park machine safely before leaving the operator station for any reason including emptying the catchers or unplugging the chute.

Protect Children



MX18014

- Death or serious injury can occur when young children associate having fun with a lawn mowing machine simply because someone has given them a ride on a machine.
- Children are attracted to lawn mowing machines and mowing activities. They don't understand the dangers of rotating blades or the fact that the operator is unaware of their presence.
- Children who have been given rides in the past may suddenly appear in the mowing area for another ride and be run over or backed over by the machine.
- Tragic accidents with children can occur if the operator is not alert to the presence of children, especially when a child approaches a machine from behind. Before and while backing up, stop mower blades and look down and behind the machine carefully, especially for children.
- Never carry children on a machine or attachment, even with the blades off. Do not tow children in a cart or trailer. They can fall off and be seriously injured or interfere with safe machine operation.
- Never use the machine as a recreational vehicle or to entertain children.
- Never allow children or an untrained person operate the machine. Instruct all operators not to give children a ride on the machine or in an attachment.
- Keep children indoors, out of the mowing area, and in the watchful eye of a responsible adult, other than the operator, when a mower is being operated.
- Stay alert to the presence of children. Never assume that children will remain where you last saw them. Turn the machine off if a child enters the work area.

Avoid Tipping

- Slopes are a major factor related to loss-of-control and tip-over accidents, which can result in severe injury or death. Operation on all slopes requires extra caution.
- Mow across slopes, not up and down.
- Watch for holes, ruts, bumps, rocks, or other hidden objects. Uneven terrain could overturn the machine. Tall grass can hide obstacles.
- Choose a low ground speed so you will not have to stop or shift while on a slope.

- Do not mow or operate machine on wet grass. Tires may lose traction. ••
- Tires may lose traction on slopes even though the brakes are functioning properly.
- Avoid starting, stopping or turning on a slope. If the tires lose traction, disengage the blades and proceed slowly, straight down the slope.
- Keep all movement on slopes slow and gradual. Do not make sudden changes in speed or direction, which could cause the machine to roll over.
- Use extra care while operating machine with grasscatchers or other attachments, they can affect stability of the machine. Do not use on steep slopes.
- Do not mow near drop-offs, ditches, embankments, or bodies of water. The machine could suddenly roll over if a wheel goes over the edge or the edge caves in.
- Follow the manufacturer's recommendations for wheel weights or counterweights for added stability when operating on slopes or using front or rear mounted attachments. Remove weights when not required.
- Drive machine very slowly and avoid quick stops when attachment is removed.
- Transport machine with decks lowered to improve stability.

Keep Riders Off

- Only allow the operator on the machine. Keep riders off.
- Riders on the machine or attachment may be struck by foreign objects or thrown off the machine causing serious injury.
- Riders obstruct the operator's view resulting in the machine being operated in an unsafe manner.

Avoid High Pressure Fluids

- Hydraulic hoses and lines can fail due to physical damage, kinks, age, and exposure. Check hoses and lines regularly. Replace damaged hoses and lines.
- Hydraulic fluid connections can loosen due to physical damage and vibration. Check connections regularly. Tighten loose connections.
- Escaping fluid under pressure can penetrate the skin causing serious injury. Avoid the hazard by relieving pressure before disconnecting hydraulic or other lines. Tighten all connections before applying pressure.
- Search for leaks with a piece of cardboard. Protect hands and body from high pressure fluids.
- If an accident occurs, see a doctor immediately. Any fluid injected into the skin must be surgically removed within a few hours or gangrene may result. Doctors unfamiliar with this type of injury should reference a knowledgeable medical source.

Checking Wheel Hardware

- A serious accident could occur causing serious injury if wheel hardware is not tight.
- Check wheel hardware tightness often during the first 100 hours of operation.
- Wheel hardware must be tightened to specified torque using the proper procedure anytime it is loosened.

Wear Appropriate Clothing

- Always wear safety goggles, or safety glasses with side shields, and a hard hat when operating the machine.

SAFETY

- Wear close fitting clothing and safety equipment appropriate for the job.
- While mowing, always wear substantial footwear and long trousers. Do not operate the equipment when barefoot or wearing open sandals.
- Wear a suitable protective device such as earplugs. Loud noise can cause impairment or loss of hearing.

Maintenance and Storage

- Never operate machine in a closed area where dangerous carbon monoxide fumes can collect.
- Disengage drives, lower implement, lock parking brake, stop engine and remove key or disconnect spark plug (for gas engines). Wait for all movement to stop before adjusting, cleaning or repairing.
- Clean grass and debris from cutting units, drives, mufflers, and engine to help prevent fires. Clean up oil or fuel spillage.
- Let engine cool before storing and do not store near flame.
- Shut off fuel while storing or transporting. Do not store fuel near flames or drain indoors.
- Park machine on level ground. Never allow untrained personnel to service machine. Understand service procedure before doing work.
- Use jack stands or lock service latches to support components when required. Securely support any machine elements that must be raised for service work.
- Before servicing machine or attachment, carefully release pressure from any components with stored energy, such as hydraulic components or springs.
- Release hydraulic pressure by lowering attachment or cutting units to the ground or to a mechanical stop and move hydraulic control levers back and forth.
- Disconnect battery or remove spark plug (for gas engines) before making any repairs. Disconnect the negative terminal first and the positive last. Reconnect positive first and negative last.
- Use care when checking blades. Wrap the blades or wear gloves, and use caution when servicing them. Only replace blades. Never straighten or weld them.
- Keep hands, feet, clothing, jewelry and long hair away from moving parts. If possible, do not make adjustments with the engine running.
- Charge batteries in an open well ventilated area, away from spark and flames. Unplug charger before connecting or disconnecting from battery.
- Wear protective clothing and use insulated tools.
- Keep all parts in good working condition and all hardware tightened. Replace all worn or damaged decals.
- Check grasscatcher components and the discharge guard frequently and replace with manufacturer's recommended parts, when necessary. Grasscatcher components are subject to wear, damage, and deterioration which could expose moving parts or allow objects to be thrown.
- Keep all nuts and bolts tight, especially blade attachment bolts, to be sure the equipment is in safe working condition.
- Check brake operation frequently. Adjust and service as required.
- On multi-bladed machines, take care as rotating one blade can cause other blades to rotate.

Prevent Fires

- Remove grass and debris from engine compartment and muffler area, before and after operating machine, especially after mowing or mulching in dry conditions.

- Empty the grasscatcher completely before storing.
- Always shut off fuel when storing or transporting machine, if the machine has a fuel shutoff.
- Do not store machine near an open flame or source of ignition, such as a water heater or furnace.
- Check fuel lines, tank, cap, and fittings frequently for cracks or leaks. Replace if necessary.

Tire Safety

Explosive separation of a tire and rim parts can cause serious injury or death:

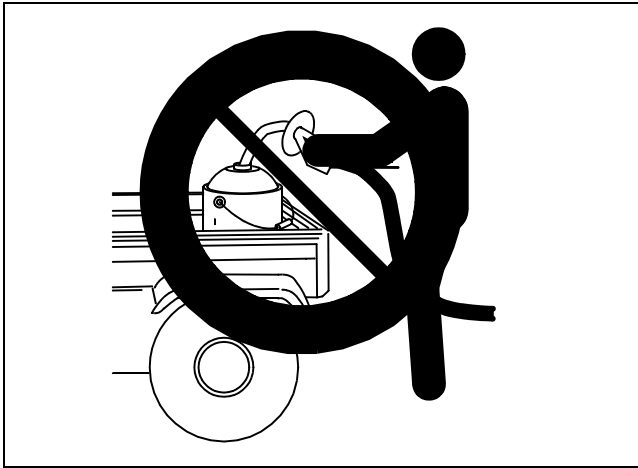
- Do not attempt to mount a tire without the proper equipment and experience to perform the job.
- Always maintain the correct tire pressure. Do not inflate the tires above the recommended pressure. Never weld or heat a wheel and tire assembly. The heat can cause an increase in air pressure resulting in a tire explosion. Welding can structurally weaken or deform the wheel.
- When inflating tires, use a clip-on chuck and extension hose long enough to allow you to stand to one side and NOT in front of or over the tire assembly.
- Check tires for low pressure, cuts, bubbles, damaged rims or missing lug bolts and nuts.

Handling Fuel Safely

To avoid personal injury or property damage, use extreme care in handling fuel. Fuel is extremely flammable and fuel vapors are explosive:

- Extinguish all cigarettes, cigars, pipes, and other sources of ignition.
- Use only an approved fuel container. Use only non-metal, portable fuel containers approved by the Underwriter's Laboratory (U.L.) or the American Society for Testing & Materials (ASTM). If using a funnel, make sure it is plastic and has no screen or filter.
- Never remove the fuel tank cap or add fuel with the engine running. Allow engine to cool before refueling.
- Never add fuel to or drain fuel from the machine indoors. Move machine outdoors and provide adequate ventilation.
- Clean up spilled fuel immediately. If fuel is spilled on clothing, change clothing immediately. If fuel is spilled near machine, do not attempt to start the engine but move the machine away from the area of spillage. Avoid creating any source of ignition until fuel vapors have dissipated.
- Never store the machine or fuel container where there is an open flame, spark, or pilot light such as on a water heater or other appliance.

OPERATING



- Prevent fire and explosion caused by static electric discharge. Static electric discharge can ignite fuel vapors in an ungrounded fuel container.
- Never fill containers inside a vehicle or on a truck or trailer bed with a plastic liner. Always place containers on the ground away from your vehicle before fueling.
- Remove fuel-powered equipment from the truck or trailer and refuel it on the ground. If this is not possible, then refuel such equipment with a portable container, rather than from a fuel dispenser nozzle.
- Keep the nozzle in contact with the rim of the fuel tank or container opening at all times until the fueling is complete. Do not use a nozzle lock-open device.
- Never overfill fuel tank. Replace fuel tank cap and tighten securely.
- Replace all fuel container caps securely after use.
- For gasoline engines, do not use gas with methanol. Methanol is harmful to your health and to the environment.

Handling Waste Product and Chemicals

- Waste products, such as, used oil, fuel, coolant, brake fluid, and batteries, can harm the environment and people:
- Do not use beverage containers for waste fluids - someone may drink from them.
- See your local Recycling Center or authorized dealer to learn how to recycle or get rid of waste products.
- A Material Safety Data Sheet (MSDS) provides specific details on chemical products: physical and health hazards, safety procedures, and emergency response techniques. The seller of the chemical products used with your machine is responsible for providing the MSDS for that product.

Operating

Daily Operating Checklist

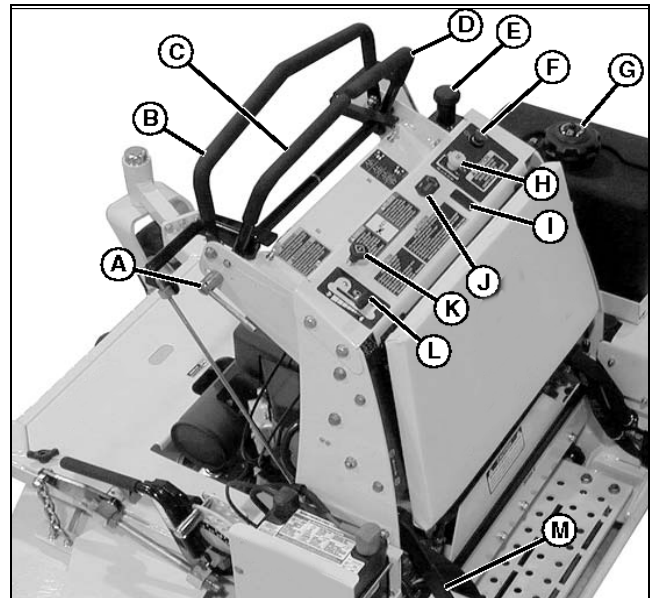
- Make sure all necessary guards and shields are safely and securely attached. Check for loose, missing, or damaged parts.
- Remove mower deck belt shields. Clean grass and debris from belt area.
- Remove grass and debris from machine and mower deck.
- Remove grass and debris from operator station foot plate, pump drive belt compartment, hydraulic pump and pump mounting plate.
- Test park brake.

- Test safety systems.
- Check battery.
- Check for oil leaks.
- Check engine oil and hydraulic oil levels.
- Check all belts for damage or cracking.
- Check engine air filter.
- Check mower level.
- Adjust cutting height if necessary.
- Check wheel bolt torque. Tighten if necessary.
- Check tire air pressure. Check tires for damage or cracking.
- Check and adjust speed control linkages and lock.

Avoid Damage to Plastic and Painted Surfaces

- Do not wipe plastic parts unless rinsed first.
- Insect repellent spray may damage plastic and painted surfaces. Do not spray insect repellent near machine.
- Be careful not to spill fuel on machine. Fuel may damage surface. Wipe up spilled fuel immediately.
- Prolonged exposure to sunlight will damage the hood surface.

Operator Station Controls



MX20138

Picture Note:

- A-Speed Control Bar Lock**
- B-Speed Control Bar**
- C-Left Motion Control Lever**
- D-Right Motion Control Lever**
- E-Hydrostatic Oil Reservoir Cap and Dipstick**
- F-Ignition Key Switch**
- G-Fuel Tank Cap**
- H-PTO Switch**
- I-Optional Light Switch Location**
- J-Hourmeter**

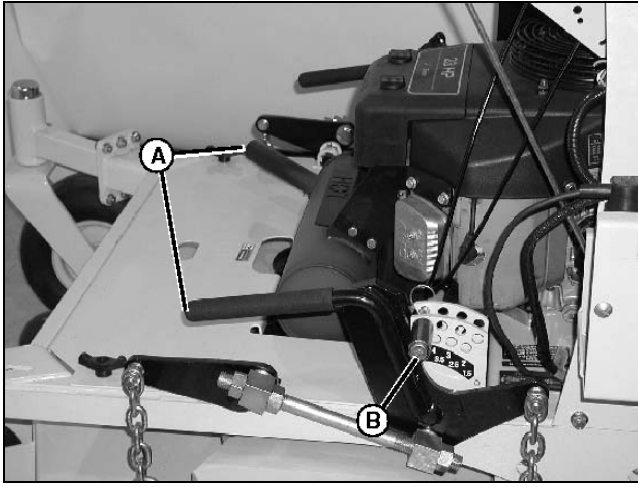
OPERATING

K-Choke

L-Throttle Lever

M-Park Brake Lever

Mower Deck Controls

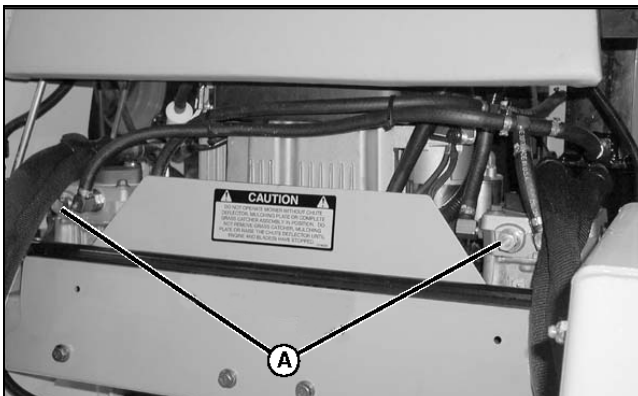


MX20093

A-Mower Deck Lift Levers

B-Height-of-Cut (HOC) Pin

Miscellaneous Controls



MX20094

A-Free-Wheeling Valves

Mounting and Dismounting Machine Safely

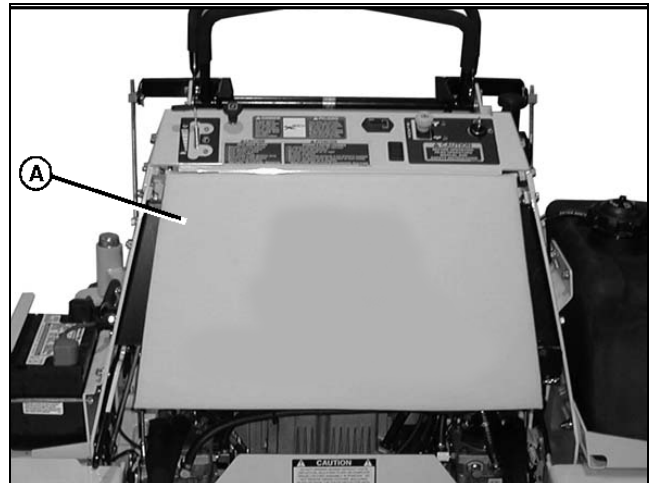


MX20095

1. Step on operator's platform (A) at the rear of machine to mount the machine.
2. Park machine safely. (See Parking Safely in the SAFETY section.)
3. Step off operator's platform to dismount machine.
4. Keep operator's platform and suspension springs clean and free of debris.

Raising and Lowering Thigh Pad

1. Park machine safely. (See Parking Safely in the SAFETY section.)



MX20096

2. Raise and lower thigh pad (A) as required.

Adjusting Mower Deck Cutting Height

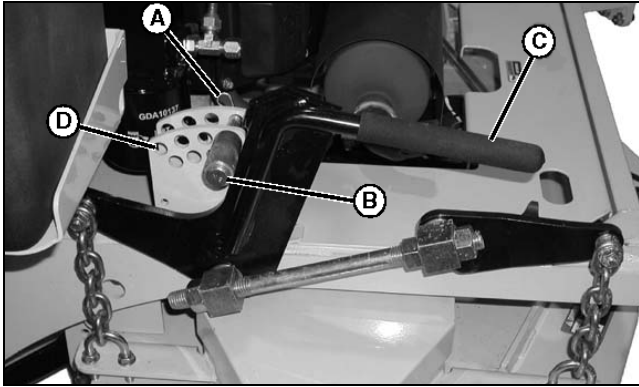
The mower deck height adjustment consists of seven different cutting heights. The cutting heights range from 38-114 mm (1-1/2-4-1/2 in.) in 13 mm (1/2 in.) increments.

CAUTION: Avoid injury! Before adjusting cutting height, stop engine and lock the park brake.

1. Park machine safely. (See Parking Safely in the SAFETY section.)
2. Disengage PTO.

OPERATING

3. Stop engine and lock park brake.



4. Remove retaining ring (A) from HOC pin (B).
5. Push down on deck lift lever (C).
6. Remove HOC pin.
7. Place HOC pin in desired height hole (D).
8. Release deck lift lever (C).
9. Install retaining ring (A) in HOC pin (B).
10. Repeat procedure for opposite side.

Leveling Mower Deck



CAUTION: Avoid injury! Rotating blades are dangerous. Before adjusting or servicing mower:

Disconnect spark plug wire(s) or battery negative (-) cable to prevent engine from starting accidentally.

Always wear gloves when handling mower blades or working near blades.

NOTE: Mower deck anti-scalp wheels should not contact the ground.

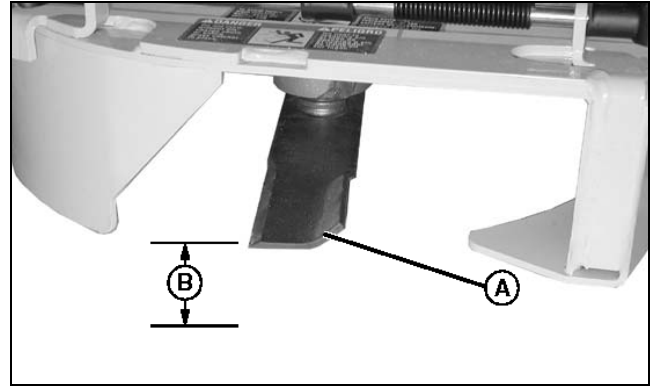
1. Park machine safely. (See Parking Safely in the SAFETY section.)
2. Inflate tires to the correct pressure.
3. Inspect mower blades for:
 - Blade sharpness.
 - Blade damage.
 - Bent blades.

Checking Level (Side-to-Side)

NOTE: Mower deck anti-scalp wheels should not contact the ground.

1. Adjust mower deck to 76 mm (3 in.) cutting height position.

NOTE: Discharge chute raised for clarity.



2. Position right mower blade (A) (discharge side) perpendicular to direction of travel.

NOTE: Use a short ruler or a leveling gauge (Part Number AM130907) to check the mower blade level.

3. Measure distance (B) from outside blade tip to the ground.
4. Position left mower blade perpendicular to direction of travel.

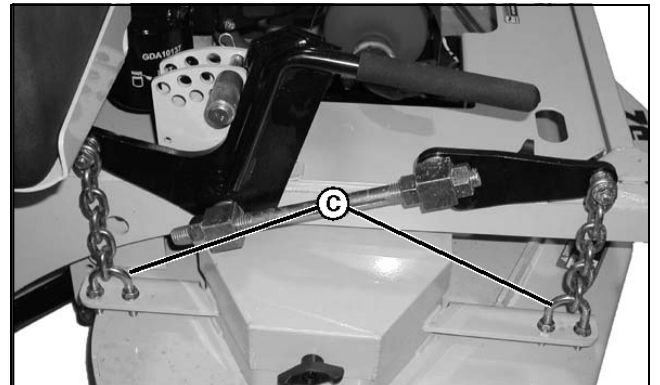
5. Measure from outside blade tip to the ground.

- The difference between both measurements should be no greater than 3 mm (1/8 in.).

6. If side-to-side level is not within the tolerance, an adjustment is necessary.

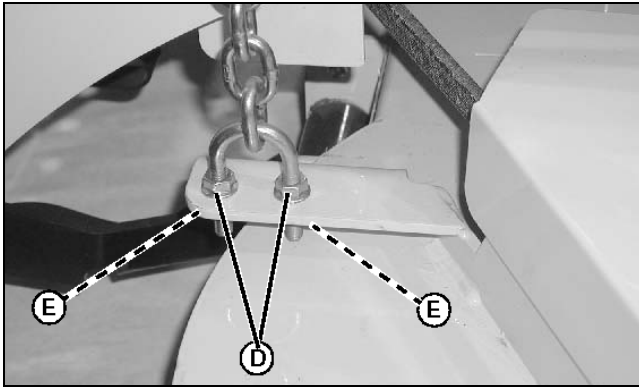
Adjusting Level (Side-to-Side)

NOTE: When adjusting U-bolts, maintain a minimum clearance of 3 mm (1/8 in.) between mower deck and stop pads.



- Adjust four U-bolts (C) (two on each side of deck) until deck is within 3 mm (1/8 in.) of level from side-to-side.

OPERATING



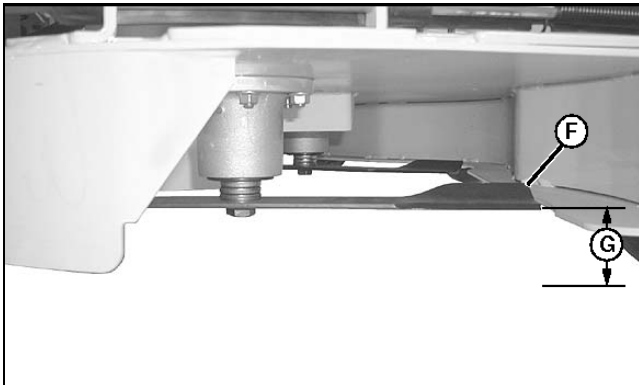
MX20100

- Loosen jam nuts (D) and adjust nuts (E) on each U-bolt until side-to-side level is reached.
- Tighten jam nuts (D).

Checking Level (Front-to-Rear)

- Set height-of-cut (HOC) to the 76 mm (3 in.) cutting height position.

NOTE: The height of the rear blade tip should be between 3-6 mm (1/8-1/4 in.) higher than the front blade tip.



MX20122

- Position right mower blade (F) (discharge side) parallel to the direction of travel.
- Measure distance (G) from front blade tip to the ground.
- Turn blade 180° and measure from rear blade tip to the ground.
- If the front-to-rear level is not within the tolerance, an adjustment is necessary.

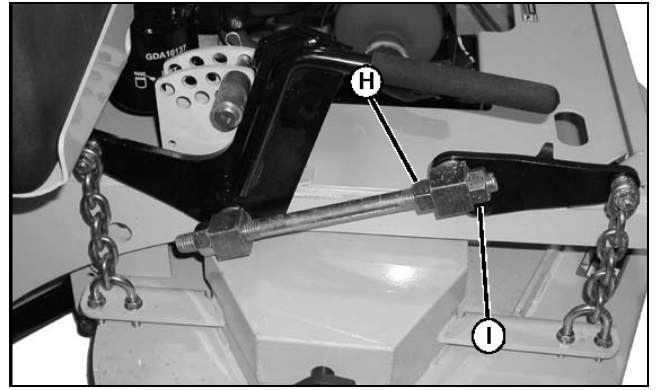
Adjusting Level (Front-to-Rear)

IMPORTANT: Avoid damage: Adjust the left and right deck lift assist rods equally.

NOTE: Adjust side-to-side mower level before adjusting front-to-rear level.

Adjust both sides of the mower deck equally.

All lift chains must remain taut.



MX20099

- Loosen jam nut (H) on both deck lift assist rods.
- Adjust front-to-rear mower level:
 - Turn nut (I) on both sides clockwise to raise front of mower deck, or counterclockwise to lower front of mower deck.
- Verify that the adjustment on right and left sides is equal.
- Tighten jam nuts (H).
- Check front-to-rear mower level.

Checking and Adjusting Cutting Height



CAUTION: Avoid injury! Rotating blades are dangerous. Before adjusting or servicing mower:

- Disconnect spark plug wire(s) or battery negative (-) cable to prevent engine from starting accidentally.
- Always wear gloves when handling mower blades or working near blades.

Checking Overall Cutting Height

- Inflate tires to correct pressure.
- Lower mower deck to the 76 mm (3 in.) cutting height.
- Position right mower blade (discharge side) parallel to the direction of travel.
- Measure from the front of the blade tip to the ground.
- If blade tip height is not within 73-79 mm (2-7/8-3-1/8 in.), an adjustment is needed.

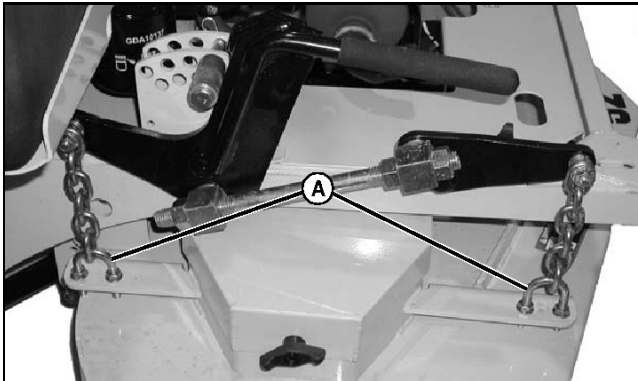
OPERATING

Adjusting Overall Cutting Height

NOTE: When adjusting U-bolts, maintain a minimum clearance of 3 mm (1/8 in.) between mower deck and stop pads.

Adjust both sides of the mower deck equally.

All lift chains must remain taut.



MX20099

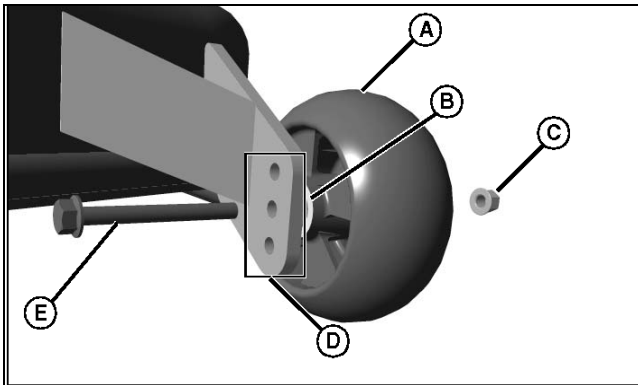
1. Adjust four U-bolts (A) (two on each side of deck) until blade tip height is within 73-79 mm (2-7/8-3-1/8 in.) of the 76 mm (3 in.) setting.

Adjusting Mower Deck Anti-Scalp Wheels

NOTE: The flattest cut can be achieved by having all anti-scalp wheels adjusted off the ground. Check anti-scalp wheel adjustments each time the mower deck cutting height is changed.

It is recommended that all anti-scalp wheels be kept off the ground to minimize scuffing.

1. Inflate tires to correct pressure.
2. Adjust mower deck to desired cutting height.



MX15658

3. Adjust anti-scalp wheel (A) to one of three positions (D).
 - Remove screw (E), nut (C) and washer (B).
 - Adjust wheel up or down so it is approximately 6–13 mm (1/4–1/2 in.) above mowing surface.
4. Install wheel with attaching hardware.
5. Adjust all wheels to the same height.

Testing Safety Systems

⚠ CAUTION: Avoid injury! Engine exhaust fumes contain carbon monoxide and can cause serious illness or death. Move the machine to an outside area before running the engine. Do not run an engine in an enclosed area without adequate ventilation.

- Connect a pipe extension to the engine exhaust pipe to direct the exhaust fumes out of the area.
- Allow fresh outside air into the work area to clear the exhaust fumes out.

The safety systems installed on your machine should be checked before each machine use. Be sure you have read the machine operator manual and are completely familiar with the operation of the machine before performing these safety system checks.

Use the following checkout procedures to check for normal operation of machine.

If there is a malfunction during one of these procedures, do not operate machine. **See your authorized dealer for service.**

Perform these tests in a clear open area. Keep bystanders away.

Testing PTO Switch

1. Stand on operator's platform with motion control levers in the neutral position.
2. Lock park brake.
3. Pull PTO switch up to engage.
4. Turn key switch to the start position.

Result: The engine must not crank.

Testing Park Brake Switch

1. Push PTO switch down to disengage.
2. Unlock park brake.
3. Turn key switch to the start position.

Result: The engine must not crank.

Testing Neutral Switch (Start)

1. Lock park brake.
2. Push PTO switch down to disengage.
3. Push one motion control lever forward.
4. Turn key switch to the start position.

Result: The engine must not crank.

Testing Neutral Switch (Run)

1. Lock park brake.
2. Push PTO switch down to disengage.
3. Start engine.
4. Push one motion control lever forward.
5. Repeat procedure using the other lever.
6. Repeat procedure pushing each motion control lever rearward.

Result: The engine must stop when either lever is moved from neutral position.

OPERATING

Testing Operator Presence Switch

NOTE: Ensure OPC switch bracket is depressed when standing on operator's station.

1. Stand on operator's platform with motion control levers in the NEUTRAL position.
2. Start engine.
3. Unlock park brake.
4. Step completely off operator's platform.

Result: The engine must stop.

NOTE: Ensure OPC switch bracket is depressed when standing on operator's station.

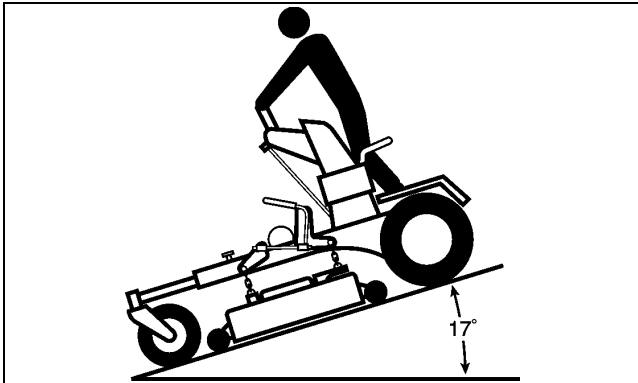
5. Stand on operator's platform with motion control levers in the NEUTRAL position and start engine.

CAUTION: Avoid injury! Thrown objects can be dangerous. Before operating the attachment:
Clear area of bystanders, especially children.
Pick up objects which may be thrown by the attachment.

6. Pull PTO switch up to engage.
7. Step completely off operator's platform.

Result: The engine must stop.

Testing the Park Brake

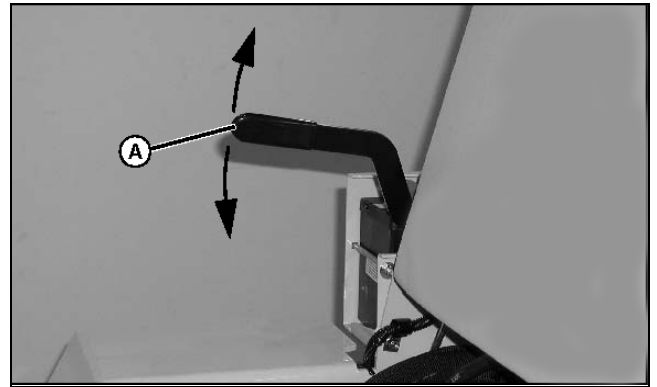


1. Stop machine on a 17° slope (30% grade) facing downhill. Stop the engine and lock the park brake.
2. Repeat procedure with machine facing uphill.

Result: Park brake must hold the machine stationary. (Machine should move no more than 61cm (24 in.) in one hour.) If machine moves more than that, brakes need to be adjusted. See your authorized dealer or refer to Adjusting Park Brake in the SERVICE STEERING AND BRAKES section.

Using Park Brake

Locking Park Brake



MX20102

Raise park brake lever (A) to lock park brake.

Unlocking Park Brake:

Lower park brake lever (A) to unlock park brake.

Using the PTO

Engage PTO:

1. Stand on operator's platform with motion control levers in the neutral position.
2. Start engine.
3. Release park brake.
4. Move throttle lever to the 1/2 to 3/4 fast position.



MX12854

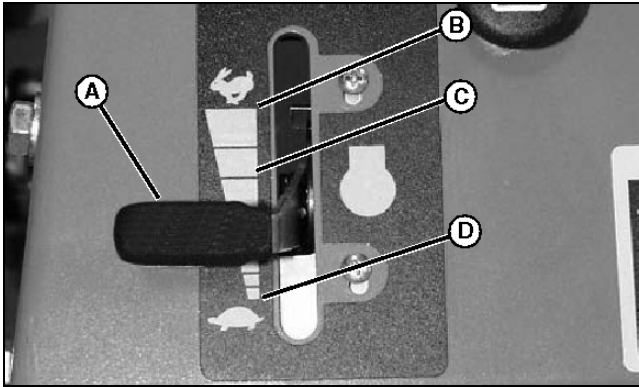
5. Pull PTO knob (A) up to engage mower deck.
6. Move throttle lever forward to the fast position for mowing.

Disengage PTO:

1. Push PTO knob (A) down.
2. Set park brake.

OPERATING

Using the Throttle

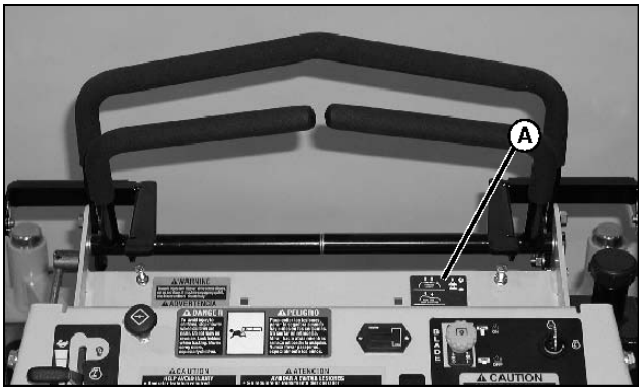


MX12847

- Push throttle lever (A) forward to the fast position (B) when mowing.
- Move throttle lever (A) to the half fast position (C) when starting and warming the engine.
- Pull throttle lever (A) backward to the slow position (D) to idle engine. Do not run engine at slow idle any longer than necessary for cooldown after mowing.

Using the Hourmeter

NOTE: The machine is equipped with an electric start. The hourmeter will continue to run with the key switch in the run position.



MX20091

- Hourmeter (A) shows number of hours the machine has been operated.
- Use hourmeter and SERVICE INTERVAL section to determine when machine needs service.

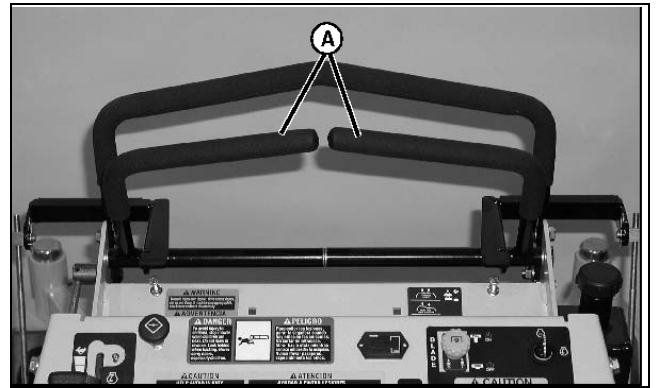
Using the Motion Control Levers

The functions of the motion control levers are:

CAUTION: Avoid injury! Learn use of the motion control levers and practice at half throttle until becoming proficient and comfortable with the operation of the machine.
Do not move motion control levers from forward to reverse or reverse to forward position rapidly. Sudden direction changes could cause loss of control or damage the machine.

- Steering.
- Acceleration.
- Deceleration.

Neutral Position



MX20091

Picture Note: Motion control levers (A) shown in the neutral position.

- Machine speed, motion and direction can be controlled when the engine is running and park brake is unlocked.
- Operator can exit the mower with the engine running when the park brake is locked and the PTO switch is disengaged.

Forward and Reverse Motion:

CAUTION: Avoid injury! Children or bystanders may be injured by runover and rotating blades. Before traveling forward or rearward:

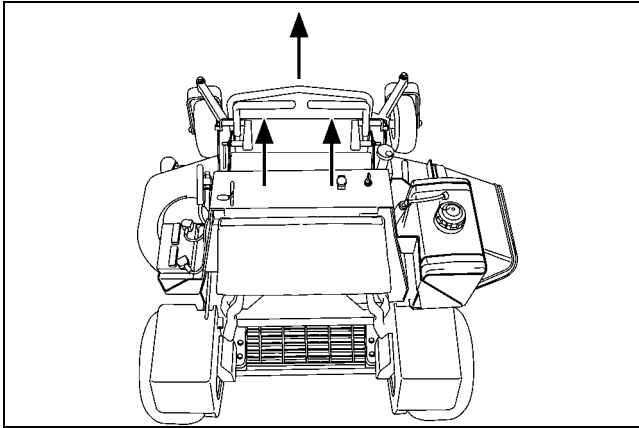
- Carefully check the area around the machine.
- Disengage the mower before backing up.

1. Move throttle lever to the fast position.
2. Unlock park brake.
3. Push motion control levers forward to begin forward motion. The further forward the control levers are moved, the faster the machine will travel.
 - Forward speed range: 0–14.8 km/h (0–9.2 mph)
4. Pull both motion control levers rearward at the same time to begin reverse motion.
 - Reverse speed range: 0–6.4 km/h (0–4 mph)
5. To stop motion, move both motion control levers forward or rearward until the machine comes to a stop.

NOTE: The motion control linkages are adjustable. If adjustment is required, see *Checking and Adjusting Motion Control Linkages in the SERVICE TRANSMISSION section.*

OPERATING

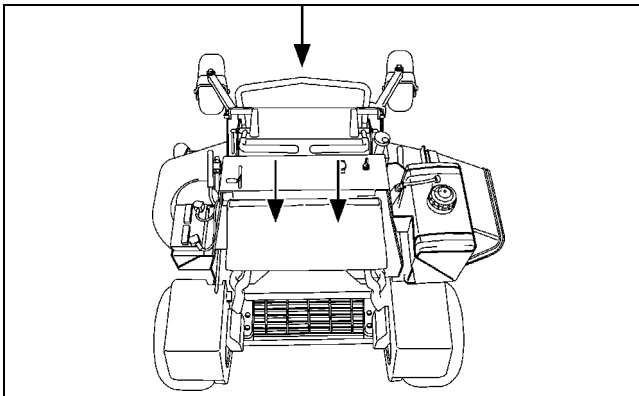
Forward:



MX12788

- Push both motion control levers forward at the same time.

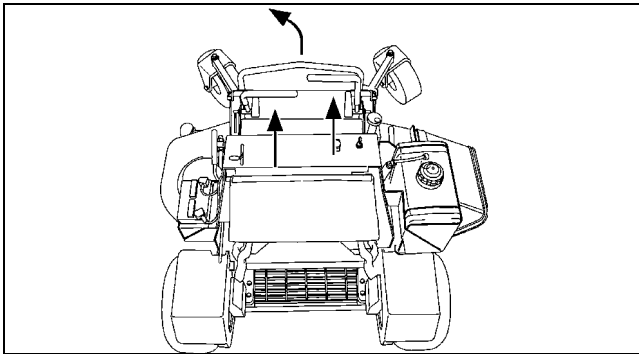
Reverse:



MX12789

- Pull both motion control levers past center rearward at the same time.

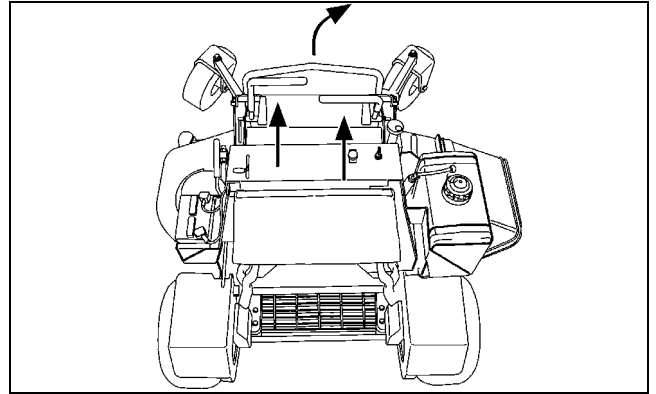
Gentle Left Turn:



MX12790

- Push right motion control lever further forward than the left motion control lever.

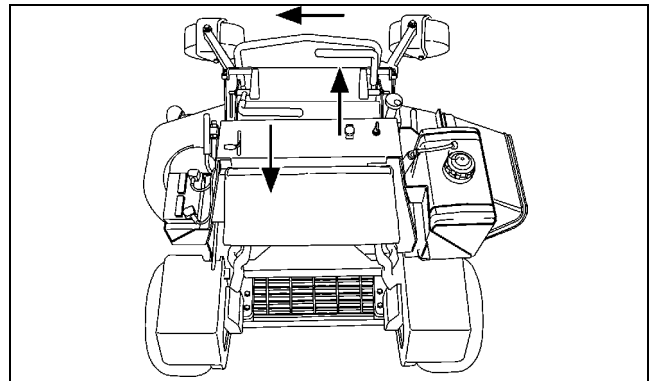
Gentle Right Turn:



MX12791

- Push left motion control lever further forward than the right motion control lever.

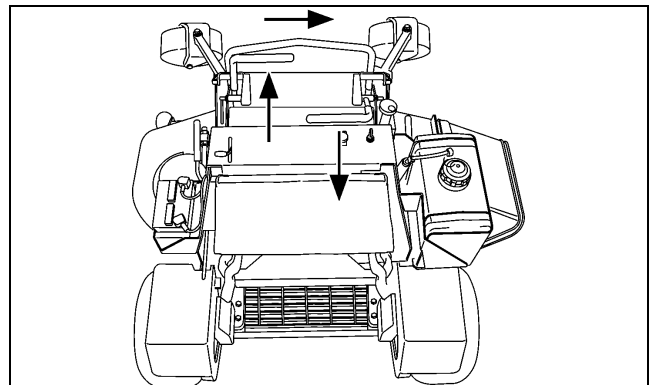
Sharp Left Turn:



MX12792

- Push right motion control lever forward and pull left motion control lever rearward at the same time.

Sharp Right Turn:



MX12793

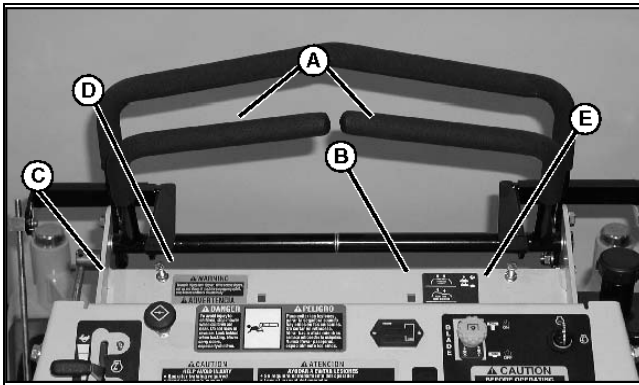
- Push left motion control lever forward and pull right motion control lever rearward at the same time.

OPERATING

Starting Engine

- CAUTION:** Avoid injury! Engine exhaust fumes contain carbon monoxide and can cause serious illness or death. Move the machine to an outside area before running the engine. Do not run an engine in an enclosed area without adequate ventilation.
- Connect a pipe extension to the engine exhaust pipe to direct the exhaust fumes out of the area.
 - Allow fresh outside air into the work area to clear the exhaust fumes out.

1. Stand on operator's platform.
2. Lock park brake.



MX20091

3. Put motion control levers (A) in the NEUTRAL position.
4. Push PTO switch knob (B) down to disengage PTO.
5. Move throttle lever (C) to set engine speed at the 1/2 to 3/4 fast position.
6. Position choke knob (D):
 - **Cold engine:** Pull knob up to the CHOKE position.
 - **Warm/Hot engine:** If necessary, pull knob up to the CHOKE position.
7. Turn key switch (E) to the START position.
8. Release key to the RUN position when engine starts.
9. With engine started:
 - Push choke knob to the OFF position.
 - Move throttle lever to the FAST position.
 - Unlock park brake.

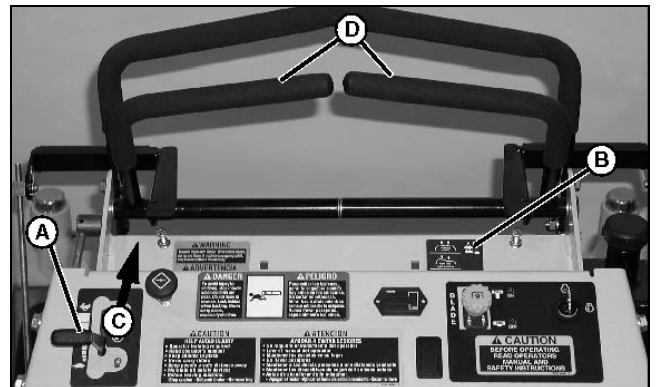
Engaging Mower

- CAUTION:** Avoid injury! Clear mowing area of all bystanders when operating this machine. Thrown objects could cause serious injury or death. Keep hands and feet away from blades and discharge opening. Do not mow in reverse unless absolutely necessary.

IMPORTANT: Avoid damage! To help prevent damage to PTO clutch:

- Do not engage PTO with throttle in the fast position.

1. Adjust mower deck to desired cutting height.
2. Start engine.



MX20091

3. Move throttle lever (A) to the 1/2 to 3/4 fast position.
4. Unlock park brake.

NOTE: In cold weather or with a new machine, allow engine to reach operating temperature before engaging PTO to prevent engine from stalling.

5. Pull PTO knob (B) up to engage mower deck.
6. Move throttle lever to the fast position (C).

NOTE: The travel speed and turn rate will vary with the amount that the motion control levers are moved.

7. Push motion control levers (D) forward slowly. Mow at a safe travel speed.

Stopping the Engine

IMPORTANT: Avoid damage! To help prevent engine backfiring, throttle lever should be set at the half-speed position prior to stopping the engine.

Do not stop engine when mower is on a slope of more than 30 degrees for an extended period of time. Oil may run through valve train into carburetor and muffler.

1. Lock park brake.
2. Reduce engine speed to half-throttle.
3. Turn key switch to STOP position (C).
4. Remove key.

OPERATING

Using Pump Free-Wheel Valves

CAUTION: Avoid injury! With the free-wheeling valve open, the machine will have unrestricted motion.

- The machine may free-wheel out of control if the free-wheeling valve is opened with the machine on an incline.
- Park the machine on a level surface before opening the free-wheeling valve.

IMPORTANT: Avoid Damage! Transmission damage may occur if the machine is towed or moved incorrectly:

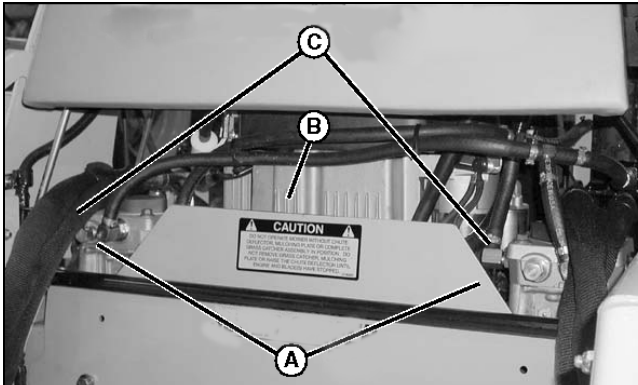
- Move machine by hand only.
- Do not use another vehicle to move machine.
- Do not tow machine.

NOTE: The pump free-wheel valves must be turned fully clockwise (closed) during normal machine operation.

When the machine needs to be moved without starting the engine, use the pump free-wheel valves:

1. Lock park brake.

NOTE: The pumps (A) are located in the back of the machine, behind the rear shield (B).



MX20094

2. Turn both pump free-wheel valves (C) counterclockwise approximately one full turn (open position).
3. Unlock park brake.
4. Push machine to desired location. Due to hydraulic system drag, machine will move slowly.
5. Turn pump free-wheel valves (C) on both pumps one full turn clockwise (closed position). Tighten valves to 11 N•m (100 lb-in.).
6. Lock park brake.

Transporting Machine on a Trailer

Use a heavy-duty trailer to transport your machine. Trailer must have signs and lights required by law.

CAUTION: Avoid injury! Use extra care when loading or unloading the machine into a trailer or truck.

- Close fuel shut-off valve, if your machine is equipped.

1. Raise mower deck to the transport position.
2. Drive machine onto a trailer.

3. Stop engine and lock park brake.

4. Remove key.

5. Fasten machine to trailer with heavy-duty straps, chains or cables. Both front and rear straps must be directed downward and outward from machine.

Mowing Tips

- Mow grass with throttle lever in the full fast position.
- Cut grass when it is dry.
- Keep mower deck and discharge chute clean.
- Mow with sharp blades.
- Properly level mower deck for a smooth cut.
- Mow grass high and often.
- Use a travel speed that fits the conditions:
 - Mow tall or wet grass twice. Cut grass at half desired height – then cut at desired height.
 - Travel slow when mowing tall, thick or wet grass.
 - Avoid damaging grass by slipping or skidding machine drive wheels. Practice smooth control lever movements.
 - When performing sharp turns, do not allow inside machine drive wheel to stop and twist on grass.

Mowing Travel Speeds

Use slow travel speeds for:

- Slopes.
- Trimming.
- Close quarters.
- Tall grass.

Use faster travel speeds for:

- Normal mowing on level ground.

Dismounting to Inspect Mower

CAUTION: Avoid injury! Help prevent serious injury. Keep hands and feet away from blades and the discharge opening.

- Do not step on either side of the mower deck when mounting and dismounting the machine. Mount and dismount the machine using the front foot plate.

1. Park machine on a hard, level surface.
2. Disengage PTO.
3. Move motion control levers to the neutral position.
4. Lock park brake.
5. Stop engine and remove key. Wait for mower blades to stop turning before leaving operator's position.

SERVICE INTERVALS

Service Intervals

Servicing Your Machine

IMPORTANT: Avoid Damage! Operating in extreme conditions may require more frequent service intervals:

- Engine components may become dirty or plugged when operating in extreme heat, dust or other severe conditions.
- Engine oil may lose efficiency if vehicle is operated constantly at slow or low engine speeds or with frequent short trips.

Please use the following timetables to perform routine maintenance on your machine.

Servicing Engine

See engine manufacturer's owner's manual provided with your machine for engine service information.

Break-In (After First 10 Hours)

- Check air pressure in tires.
- Check wheel bolt torque.
- Check and adjust park brake.
- Change engine oil and filter.
- Check mower deck drive belt tension.
- Check hydraulic pump drive belt.
- Check transmission neutral adjustment.

Every 40 Hours

- Check air pressure in tires.
- Check wheel bolt torque.
- Check and adjust park brake.
- Change engine oil and filter.
- Check foam and paper air cleaner elements.
- Clean engine shrouds as needed.
- Lubricate front caster spindles and wheels.
- Lubricate mower deck lift pivot tubes.
- Lubricate mower deck idler pivot.
- Lubricate mower deck push arms.
- Check mower deck drive belt tension.
- Lubricate hydraulic pump idler pivot.
- Check hydraulic pump drive belt.
- Check hydraulic fluid level.
- If operating machine in extremely dusty or dirty conditions:
 - Clean behind engine shrouds and exposed fins.
 - Remove screws on blower fan screen and clean behind.

Every 100 Hours

- Lubricate mower deck spindles.
- Clean and gap spark plugs.
- Check hydraulic pump drive belt.
- Clean behind engine shrouds and exposed fins.
- Remove screws on blower fan screen and clean behind.

Every 500 Hours

- Change hydraulic oil and filter.

Yearly

- Change fuel filter.
- Clean battery.
- Change engine oil and filter at least once per season.
- Change hydraulic oil and filter at least once per season.
- Replace spark plugs.

Service Lubrication

Grease

IMPORTANT: Avoid Damage! The recommended grease is effective within an average air temperature range of -29 to 135 degrees C (-20 to 275 degrees F).

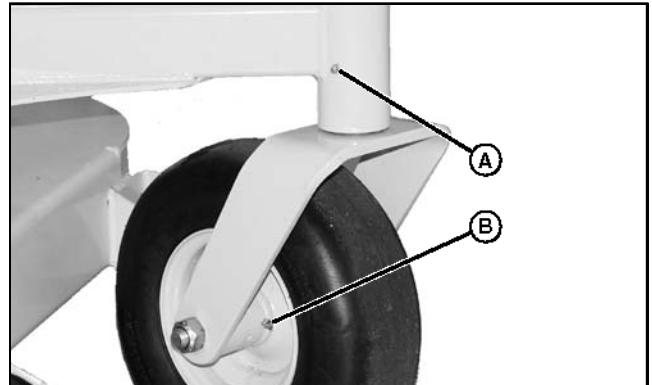
- If operating outside that temperature range, contact your servicing dealer for a special-use grease.

Use a general all-purpose grease with an NLGI grade No.2 rating.

Wet or high speed conditions may require use of a special-use grease. Contact your Servicing dealer for information.

Lubricating Front Caster Spindles and Wheels

CAUTION: Avoid injury! Fingers or loose clothing can get caught in rotating parts. Stop engine and wait for all moving parts to stop before servicing.

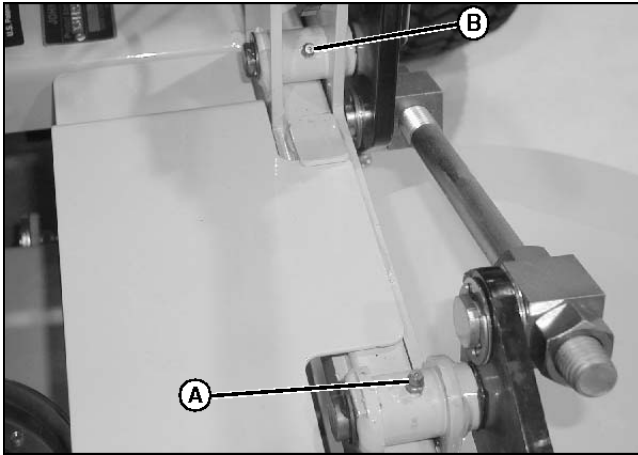


MX15286

- Lubricate two spindle grease fittings (A) and two wheel grease fittings (B).

SERVICE ENGINE

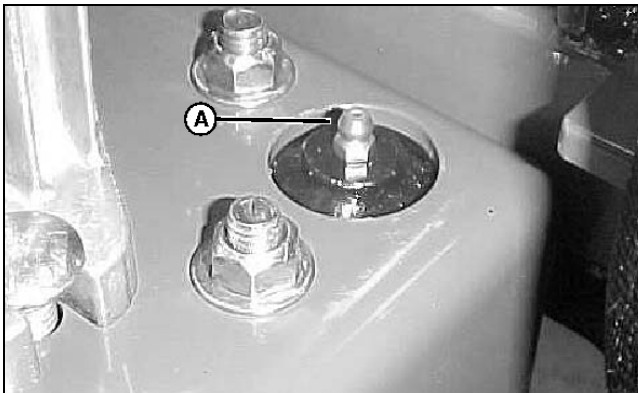
Lubricating Deck Lift Pivot Points



MX20104

- Lubricate two front deck lift pivot grease fittings (A) and two rear deck lift pivot grease fittings (B).

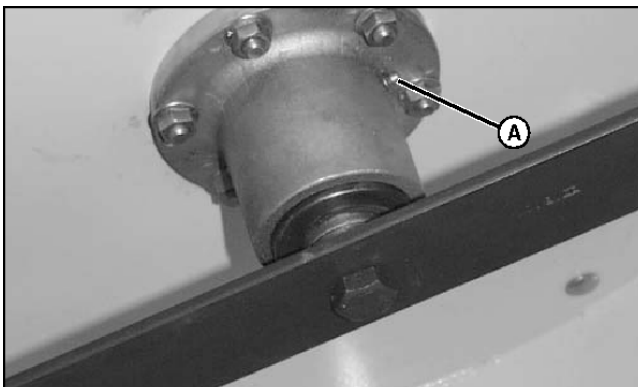
Lubricating Pump Idler Pivot



MX15095

- Lubricate one pump idler pivot grease fitting (A).

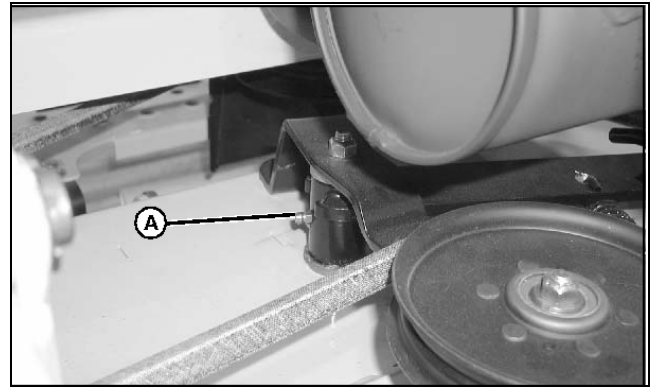
Lubricating Mower Deck Spindles



MX15287

- Lubricate three mower deck spindle grease fittings (A).

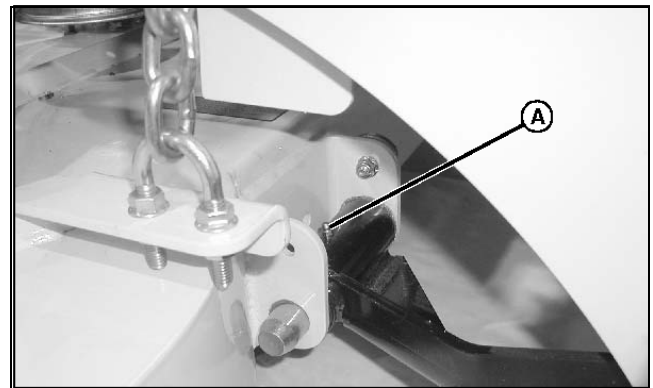
Lubricating Mower Deck Idler Pivot



MX20106

- Lubricate one deck idler pivot grease fitting (A).

Lubricating Mower Deck Push Arms



MX20107

- Lubricate two push arm grease fittings (A), one located on each side of the machine.

Service Engine

Avoid Fumes

- ⚠ **CAUTION: Avoid injury! Engine exhaust fumes contain carbon monoxide and can cause serious illness or death. Move the machine to an outside area before running the engine. Do not run an engine in an enclosed area without adequate ventilation.**

- Connect a pipe extension to the engine exhaust pipe to direct the exhaust fumes out of the area.
- Allow fresh outside air into the work area to clear the exhaust fumes out.

Engine Oil

Use oil viscosity based on the expected air temperature range during the period between oil changes.

Use oil that meets the following specification:

- See the engine manufacturer's owner's manual provided with your machine for the correct specifications.

SERVICE ENGINE

Checking Engine Oil Level

IMPORTANT: Avoid Damage! Failure to check the oil level regularly could lead to serious engine problems if oil level is low:

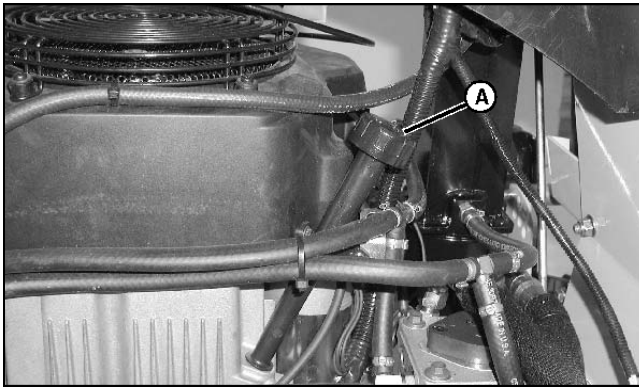
Check oil level before operating.

Keep oil level between the FULL and the ADD marks.

Check oil level when engine is stopped, level, and is cooled so oil has had time to drain into the sump.

NOTE: Check oil twice a day if you run engine over 4 hours in a day. Make sure engine is cool when checking engine oil level.

1. Park machine safely. (See Parking Safely in the SAFETY section.)
2. Allow engine to cool.
3. Clean area around dipstick to prevent debris from falling into crankcase.



MX20155

4. Remove dipstick (A). Wipe with a clean cloth.

NOTE: Allow dipstick cap to rest on threads of filler tube when checking oil level. Do not tighten dipstick cap when checking oil level.

5. Install dipstick and allow the cap to rest on the threads of the tube. Do not tighten the cap.

IMPORTANT: Avoid Damage! To prevent extensive engine wear or damage, always maintain the proper engine oil level. Never operate the engine with the oil level below the add mark or over the full mark.

6. Remove dipstick and check oil level on dipstick. Oil must be between the ADD and FULL marks.

NOTE: Refer to engine manufacturers operating manual for correct type and grade of oil.

- If oil is low, add oil to bring oil level no higher than the FULL mark on dipstick.
- If oil level is above the FULL mark, drain to proper level.

7. Install and tighten dipstick.

Changing Engine Oil and Filter



CAUTION: Avoid injury! Touching hot surfaces can burn skin. The engine, components, and fluids will be hot if the engine has been running. Be cautious and wear protective clothing when servicing or working near a hot engine and components.

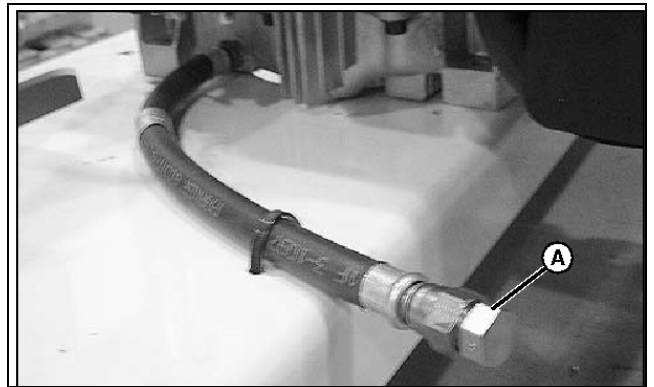
IMPORTANT: Avoid Damage! Change the oil more often if the machine is used in extreme conditions:

Extremely dusty conditions.

Frequent slow or low-speed operation.

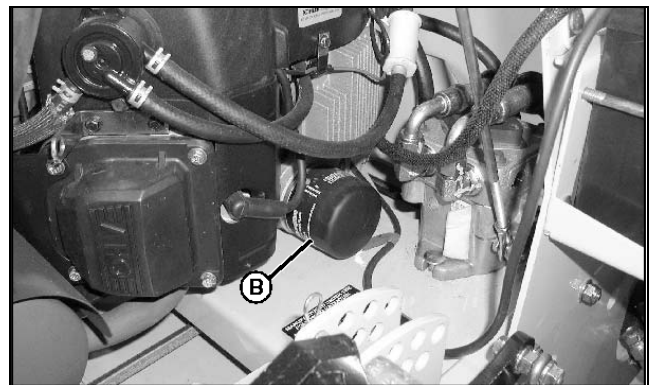
Frequent short trips.

1. Clean area around dipstick cap and filter.
2. Start engine and run until it reaches normal operating temperature.
3. Park machine safely. (See Parking Safely in the SAFETY section.)



MX201858

4. Put oil drain pan under drain tube.
5. Remove plug (A).
6. Allow oil to drain into an oil drain pan.
7. After oil drains, install and securely tighten drain plug (A).



MX20149

8. Turn oil filter (B) counterclockwise to remove.
9. Apply a film of clean engine oil to gasket of new filter.

IMPORTANT: Avoid Damage! Do not use wrench to tighten oil filter.

10. Install filter. Turn filter clockwise until gasket makes contact with mounting surface. Tighten 1/2 to 3/4 turn after gasket contact.

11. Raise thigh pad.
12. Remove dipstick cap.

NOTE: Refer to engine manufacturers operating manual for correct type and grade of oil.

13. Add approximately 1.7 L (1.75 qt) of oil.

SERVICE ENGINE

14. Insert dipstick. Tighten cap.
15. Start engine and run at slow throttle for approximately two minutes. Check for leaks around filter and drain valve.
16. Stop engine.
17. Check oil level:

- Remove dipstick cap. Wipe dipstick clean.

NOTE: Allow dipstick cap to rest on threads of filler tube when checking oil level. Do not tighten dipstick cap when checking oil level.

- Insert dipstick and allow cap to rest on threads of filler. Do not tighten cap.

IMPORTANT: Avoid Damage! To prevent extensive engine wear or damage, always maintain the proper engine oil level. Never operate the engine with the oil level below the add mark or over the full mark.

- Remove dipstick. Add oil as needed to bring level to the full mark without overfilling.

18. Insert dipstick. Tighten cap.

Cleaning Engine Air Intake Screen and Fan

CAUTION: Avoid injury! Compressed air can cause debris to fly a long distance.

Clear work area of bystanders.

Wear eye protection when using compressed air for cleaning purposes.

Reduce compressed air pressure to 210 kPa (30 psi).

IMPORTANT: Avoid damage! An obstructed air intake screen can cause engine damage due to overheating. Keep air intake screen and other external surfaces of the engine, including cooling fins, clean at all times to allow adequate air intake.

Keep air intake screens and engine cooling fins clear of debris to ensure proper cooling. See the engine manufacturer's owner's manual provided with your machine for the complete procedure.

Checking and Cleaning Air Filter Elements

CAUTION: Avoid injury! Touching hot surfaces can burn skin. The engine, components, and fluids will be hot if the engine has been running. Allow the engine to cool before servicing or working near the engine and components.

IMPORTANT: Avoid damage! Dirt and debris can enter the engine through a damaged filter element:

- Do not wash paper element.
- Do not attempt to clean paper element by tapping against another object.
- Do not use pressurized air to clean element.
- Replace element only if it is very dirty, damaged or the seal is cracked.

NOTE: It may be necessary to check the air filter more frequently if

operating machine in dusty conditions.

Check and clean air filter elements at the intervals recommended in the Service Intervals section. See the engine manufacturer's owner's manual provided with your machine for the complete procedure.

Checking Spark Plug

CAUTION: Avoid injury! Touching hot surfaces can burn skin. The engine, components, and fluids will be hot if the engine has been running. Allow the engine to cool before servicing or working near the engine and components.

Check spark plugs at the intervals recommended in the Service Intervals section. See the engine manufacturer's owner's manual provided with your machine for the complete procedure.

Cleaning Engine Oil Cooler - Kohler Engines

Keep engine oil cooler fins clear of debris to ensure proper cooling. See the engine manufacturer's owner's manual provided with your machine for the complete procedure.

Adjusting Carburetor

Carburetor is calibrated by the engine manufacturer and is not adjustable.

If engine is operated at altitudes above 1829 m (6,000 ft), some carburetors may require a special high altitude main jet. See your authorized dealer.

If engine is hard to start or runs rough, check the TROUBLESHOOTING section of this manual.

Possible engine surging will occur at high throttle with transmission in "N" neutral and mower engagement lever disengaged. This is a normal condition due to the emission control system.

After performing the checks in the troubleshooting section and your engine is still not performing correctly, contact your authorized dealer.

Replacing Fuel Filter

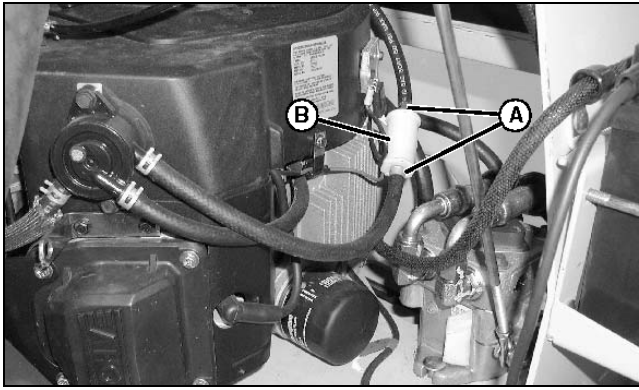
CAUTION: Avoid injury! Fuel vapors are explosive and flammable:

- Do not smoke while handling fuel.
- Keep fuel away from flames or sparks.
- Shut off engine before servicing.
- Cool engine before servicing.
- Work in a well-ventilated area.
- Clean up spilled fuel immediately.

IMPORTANT: Avoid Damage! When installing a new fuel filter, the filter arrow must be pointed in the direction of the fuel flow.

1. Park machine safely. (See Parking Safely in the SAFETY section.)
2. Allow engine to cool.

SERVICE TRANSMISSION



MX20149

- Slide hose clamps (A) away from fuel filter (B).
- Place drain pan under hoses to catch any fuel that may be left in the hoses.
- Disconnect hoses from fuel filter (B).
- Install new fuel filter (B).
 - Make sure fuel filter (B) is installed with arrow pointing in direction of fuel flow.
- Connect hoses to new fuel filter (B).
- Install hose clamps (A).
- Start engine and check for fuel leaks.

Service Transmission

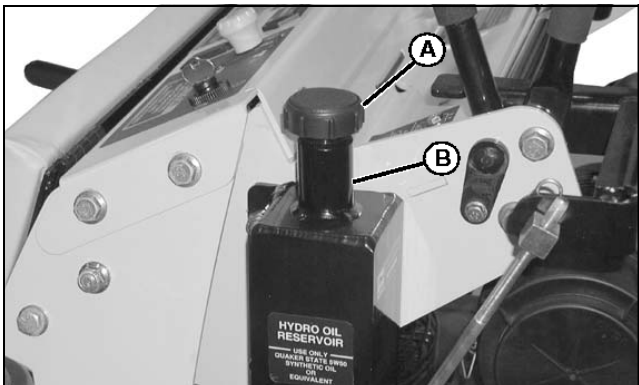
Hydraulic Oil

Use only 5W-50 or 15W-50 all synthetic oil.

Checking Hydraulic Oil Level

IMPORTANT: Avoid Damage! Check oil level in reservoir tank when oil is cold.
Do not overfill oil reservoir tank. Oil will expand during operation and could overflow.

- Park machine safely. (Refer to Parking Safely in SAFETY section.)



MX20114

- Clean area around reservoir dipstick cap (A).
- Remove dipstick cap (A). Wipe dipstick clean.

NOTE: Do not tighten dipstick cap when checking oil level.

- Insert dipstick into reservoir filler neck (B). Do not tighten cap.
- Remove dipstick. Check oil level on dipstick. Oil level should be in crosshatch area between ADD and FULL marks.
 - If oil is low, add oil to bring oil level no higher than FULL mark on dipstick.
 - If oil is above FULL mark, drain oil to proper level.
- Insert dipstick. Tighten cap.

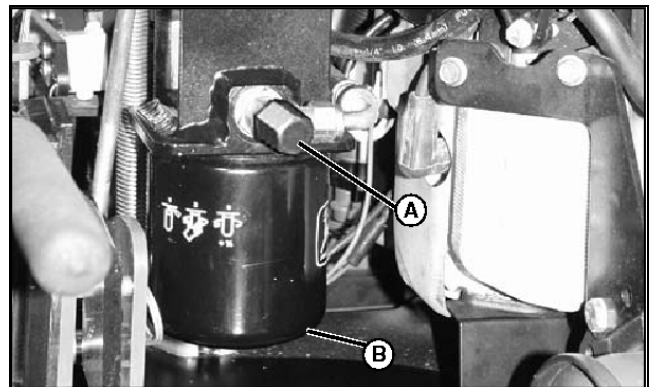
Changing Hydraulic Oil and Filter

CAUTION: Avoid injury! Escaping fluid under pressure can penetrate the skin causing serious injury. Avoid the hazard by relieving pressure before disconnecting hydraulic or other lines. Tighten all connections before applying pressure. Search for leaks with a piece of cardboard. Protect hands and body from high pressure fluids.
Use caution when filling and draining hydraulic oil. During periods of machine operation the hydraulic oil reservoir can get hot. Allow engine and oil reservoir to cool before servicing.

IMPORTANT: Avoid Damage! Contamination of hydraulic fluid could cause transmission damage or failure. Do not open oil reservoir cap unless absolutely necessary.

Severe or unusual conditions may require a more frequent service interval.

- Park machine safely. (Refer to Parking Safely in the SAFETY section.)
- Allow engine and hydraulic oil reservoir to cool.



MX13362

- Clean area around reservoir dipstick cap and oil filter.
- Turn metal cap (A) on bottom of hydraulic reservoir counterclockwise to remove.
- Allow hydraulic oil to drain into a drain pan with a capacity of at least 3.8L (1.0 gal).
- Turn oil filter (B) counterclockwise to remove.
- Apply a film of clean hydraulic oil to gasket of new filter.
- Install new filter. Turn filter clockwise until gasket makes contact with mounting surface. Tighten 1/2 to 3/4 turn after gasket contact.
- Remove dipstick from hydraulic reservoir filler neck.

SERVICE TRANSMISSION

IMPORTANT: Avoid Damage! Do not add oil beyond FULL mark. Oil capacity after draining may be less than dry fill capacity. Check oil level before filling completely.

NOTE: Dry fill capacity for hydraulic system is 3.1L (3.3 qt).

10. Fill oil reservoir with approximately 1.9L (2 qt) of oil.
11. Insert dipstick. Tighten cap.
12. Start engine.
13. Move throttle lever to 1/2 to 2/3 position.
14. Unlock park brake.

CAUTION: Avoid injury! Help prevent serious bodily injury. Remain alert to other people and the surroundings when operating the machine.

15. Cycle motion control levers forward and rearward several times. Check for leaks around filter.
16. Stop engine. Check oil level. Add oil as necessary to bring oil level to FULL mark on dipstick.

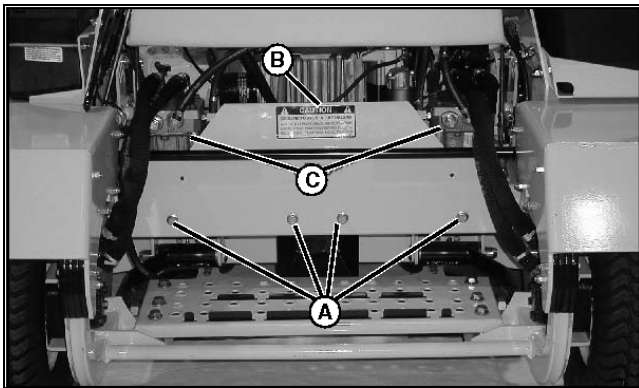
Cleaning Hydraulic Oil Pump Cooling Fins

CAUTION: Avoid injury! Compressed air can cause debris to fly a long distance.

- Clear work area of bystanders.
- Wear eye protection when using compressed air for cleaning purposes.
- Reduce compressed air pressure to 210 kPa (30 psi).

IMPORTANT: Avoid Damage! To ensure proper cooling, keep the cooling fins clean at all times. Operating the machine with obstructed cooling fins could cause damage due to overheating.

1. Park machine safely. (See Parking Safely in the SAFETY section.)



MX20126

2. Remove four cap screws (A).
3. Remove rear shield (B) to access hydraulic pumps (C).
4. Clean hydraulic oil cooling fins on each hydraulic pump with a rag, brush or compressed air.
5. Clean area around hydraulic pumps and frame.

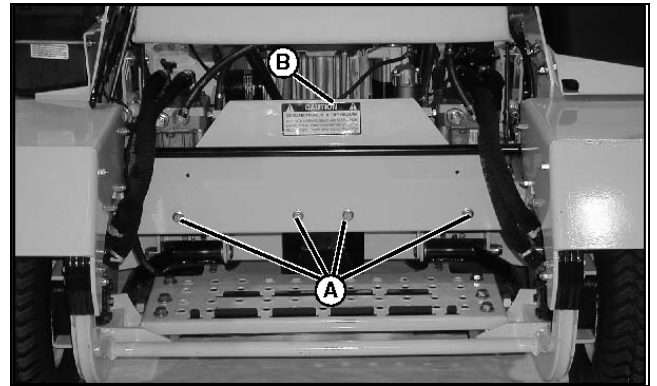
Checking and Replacing Pump Traction Drive Belt

CAUTION: Avoid injury! Fingers or loose clothing can get caught in rotating parts. Stop engine and wait for all moving parts to stop before servicing.

NOTE: The traction drive belt will not require a tension adjustment. Belt is self-adjusted using a spring tensioner.

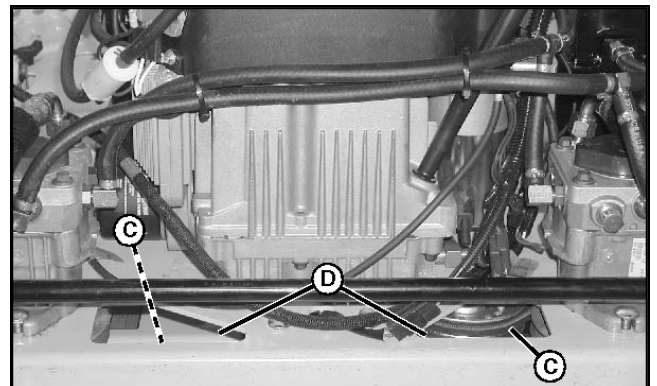
Checking Traction Drive Belt:

1. Park machine safely. (See Parking Safely in the SAFETY section.)



MX20126

2. Remove four cap screws (A).
3. Remove rear shield (B).



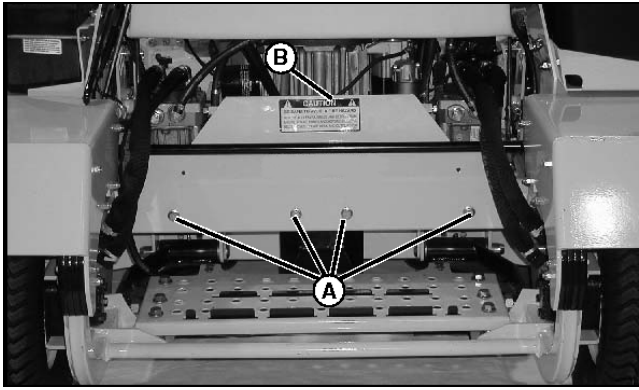
MX20111

4. Inspect belt (C) through frame openings (D) for excessive wear, damage or stretching.

Removing Traction Drive Belt:

1. Park machine safely. (See Parking Safely in the SAFETY section.)
2. Remove mower deck drive belt. (See Replacing Mower Deck Drive Belt in the SERVICE MOWER section.)

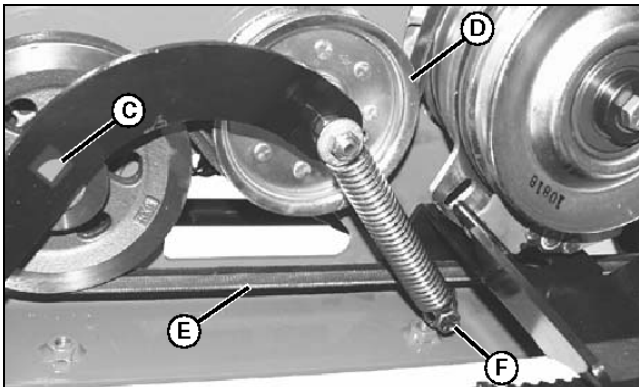
SERVICE TRANSMISSION



MX20126

3. Remove four cap screws (A).
4. Remove rear shield (B).

CAUTION: Avoid injury! Tensioning spring is under high tension. Wear gloves and safety glasses, and use a spring puller to install and remove spring.



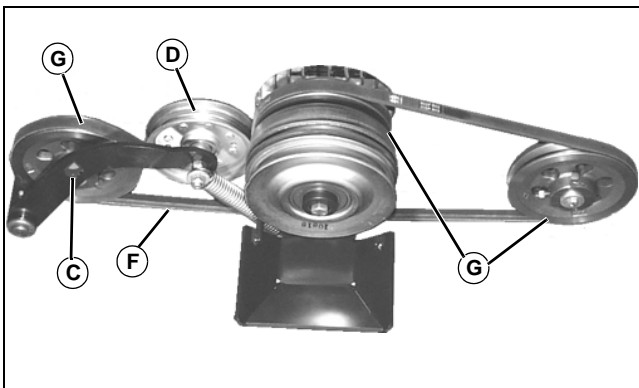
MX20167

Picture Note: Traction drive belt idler pulley bottom view.

5. Insert 1/2 in. breaker bar into hole (C) and rotate idler pulley (D) forward to ease tension on traction drive belt.
6. Remove traction drive belt (E).

Installing Traction Drive Belt:

NOTE: Install the traction drive belt (E) in front of anchor cap screw (F).



MX20168

1. Install traction drive belt (E) on drive sheaves (G) as shown. Ensure that

traction drive belt is positioned in front of anchor cap screw (F).

2. Insert 1/2 in. breaker bar into hole (C) and rotate idler pulley (D) forward for additional clearance to install traction drive belt.
3. Install rear shield.
4. Install mower deck drive belt.

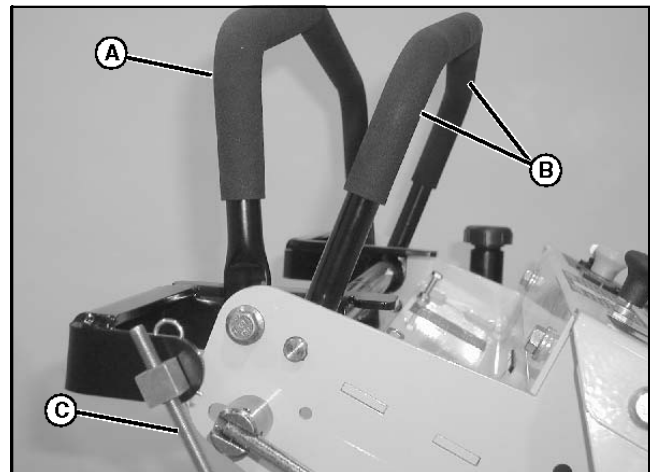
Checking and Adjusting Motion Control Linkages

CAUTION: Avoid injury! Engine exhaust fumes contain carbon monoxide and can cause serious illness or death. Move the machine to an outside area before running the engine. Do not run an engine in an enclosed area without adequate ventilation. Connect a pipe extension to the engine exhaust pipe to direct the exhaust fumes out of the area. Allow fresh outside air into the work area to clear the exhaust fumes out.

NOTE: Check and adjust motion control linkages with the machine parked on a hard, level surface.

Checking Motion Control Linkages:

1. Park machine safely. (See Parking Safely in the SAFETY section.)



MX20109

2. Rotate speed control bar (A) to full forward position.
3. With engine off, move motion control levers (B) until they contact the speed control bar (A). A slight deflection should be seen in the linkage rod (C).

NOTE: Check machine tracking after making adjustments.

Start the engine and run until it reaches normal operating temperature.

CAUTION: Avoid injury! Be aware of bystanders.

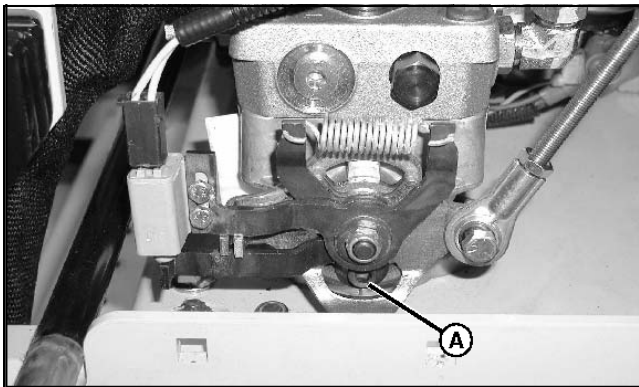
5. Stand on the operator's platform and, with the park brake released, move the motion control levers (B).
6. Observe wheel movement as motion control levers are moved back and forth. Wheels should travel in the correct direction as the levers are moved.
7. Move motion control levers to neutral position. If rear wheels continue to rotate, a return to neutral (RTN) adjustment is required.

SERVICE TRANSMISSION

Adjusting Motion Control Return to Neutral (RTN) Linkages:

CAUTION: Avoid injury! Fingers or loose clothing can get caught in rotating parts. Stop engine and wait for all moving parts to stop before servicing.

1. Stop engine.
2. Lock park brake.
3. Lift machine with a safe lifting device centered under rear tire support frame.
4. Start the machine with motion control levers in neutral.
5. Stand on the operator's platform and release park brake.
6. If rear wheels rotate when motion control levers are in neutral, a neutral adjustment is required.
7. Stop engine.



MX20161

Picture Note: Side frame removed for picture clarity.

8. Slightly loosen cap screw (A) to allow rotation of neutral return plate.
 - If wheel is rotating forward, rotate neutral return plate counterclockwise until wheel rotation stops.
 - If wheel is rotating in reverse, rotate neutral return plate clockwise until wheel rotation stops.
9. Tighten cap screw (A).
10. Recheck neutral. If wheels continue to rotate, readjust.
11. With the engine running, operate the motion control levers to verify adjustment.
 - If engine will not crank over after adjustments are made, adjust the neutral switch.

Checking and Adjusting Transmission Tracking

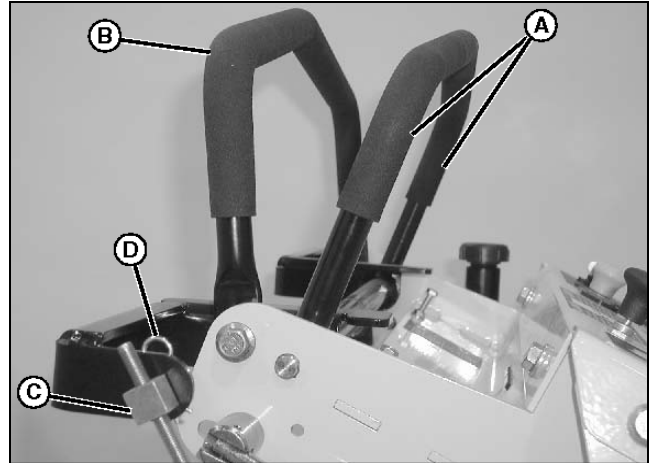
CAUTION: Avoid injury! Engine exhaust fumes contain carbon monoxide and can cause serious illness or death. Move the machine to an outside area before running the engine. Do not run an engine in an enclosed area without adequate ventilation.

- Connect a pipe extension to the engine exhaust pipe to direct the exhaust fumes out of the area.
- Allow fresh outside air into the work area to clear the exhaust fumes out.

NOTE: Check and adjust transmission tracking on a hard, level surface.

Checking Transmission Tracking:

1. Check and adjust motion control linkages. See Checking and Adjusting Motion Control Linkages in the SERVICE TRANSMISSION section.
2. Start engine and run until it reaches normal operating temperature.
3. Move machine to an open, level area for operation.



MX20109

4. Drive machine forward, pushing both control levers (A) all the way to speed control bar (B).
5. If machine does not drive in a straight line, an adjustment is required.

Adjusting Transmission Tracking:

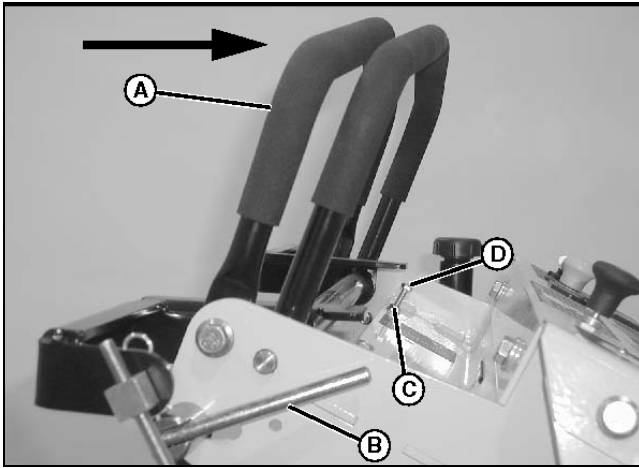
1. Adjust appropriate control rod swivel (C) located on each side of machine.
 - If machine tracks to the right, remove spring pin (D) and rotate left control rod swivel one turn clockwise. Install spring pin (D).
 - If machine tracks to the left, remove spring pin (D) and rotate right control rod swivel one turn clockwise. Install spring pin (D).
2. Check transmission tracking again and adjust as required until machine drives in a straight line.

Adjusting Forward and Reverse Speeds

Adjusting Forward Speed:

Park machine safely. (See Parking Safely in the SAFETY section.)

SERVICE STEERING & BRAKES



MX20115

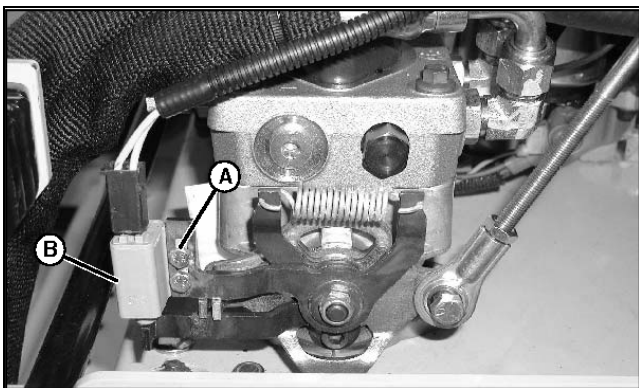
Picture Note: Arrow shows direction of speed control bar (A) movement when decreasing forward speed.

- Loosen lock lever (B) on speed control bar (A).
 - To decrease forward speed, pull speed control bar (A) toward the operator's station.
 - To increase forward speed, push speed control bar (A) forward (away from operator's station).
- Tighten lock lever (B).

Adjusting Reverse Speed:

- Park machine safely. (See Parking Safely in the SAFETY section.)
- Loosen jam nut (C) on cap screw (D) on each side of machine.
 - To decrease reverse speed, turn cap screw (D) counterclockwise.
 - To increase reverse speed, turn cap screw (D) clockwise.
- Tighten jam nut (C) on cap screw (D) on each side of machine.

Adjust Neutral Switch



MX20161

Picture Note: Side frame removed for picture clarity.

- Park machine safely. (See Parking Safely in the SAFETY section.)
- Loosen nuts (A).
- Adjust neutral switch (B).
 - If neutral switch sensitivity needs to be increased, adjust switch (B) down in slots.
 - If neutral switch sensitivity needs to be decreased, adjust switch (B) up in slots.

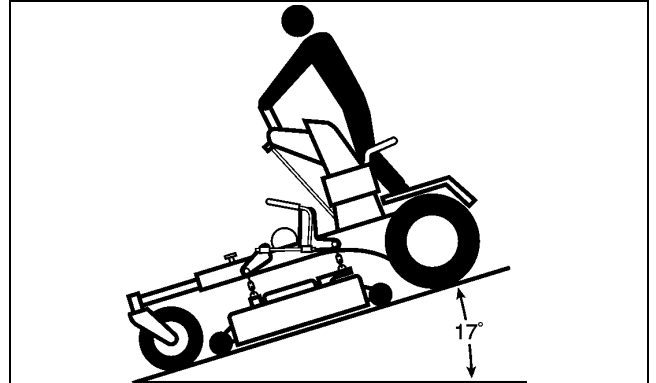
- Tighten nuts (A).

Service Steering & Brakes

Adjusting Park Brake

Testing Park Brake:

- Inflate tires to correct pressures.

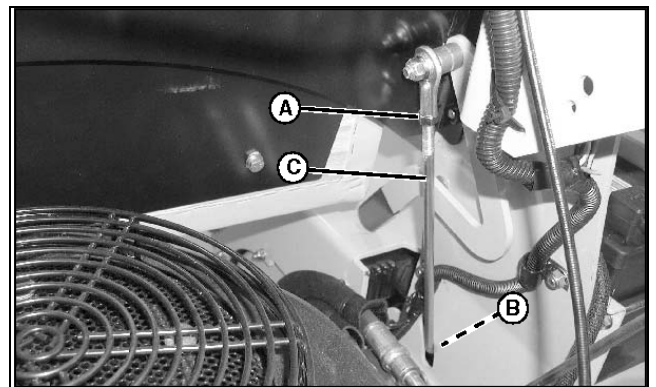


MX12874

- Stop machine on a maximum 17° slope.
- Lock park brake.
 - A properly adjusted park brake must prevent the drive wheels from turning.
 - If the drive wheels turn, a brake adjustment will be necessary.

Adjusting Park Brake:

- Park machine safely. (Refer to Parking Safely in the SAFETY section.)
- Unlock park brake.



MX20116

- Loosen jam nut (A).
- Remove hair pin and washer (B).
- Turn brake linkage rod (C) in one-turn increments clockwise to increase braking force; counterclockwise to decrease braking force.
- Install hair pin and washer (B).
- Tighten jam nut (A).
- Test park brake. Adjust again, if required.

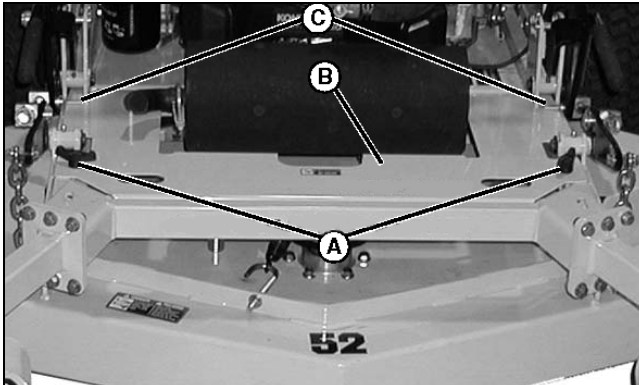
Service Mower

Removing and Installing Mower Deck Shield

CAUTION: Avoid injury! Help prevent serious personal injury. Do not operate the mower without the mower deck shield installed.

Removing Mower Deck Shield:

1. Park machine safely. (See Parking Safely in the SAFETY section.)



MX20105

2. Remove two knobs (A).
3. Lift shield (B) and pull forward to disengage from under tabs (C) on the frame.
4. Remove mower deck shield (B).

Installing Mower Deck Shield:

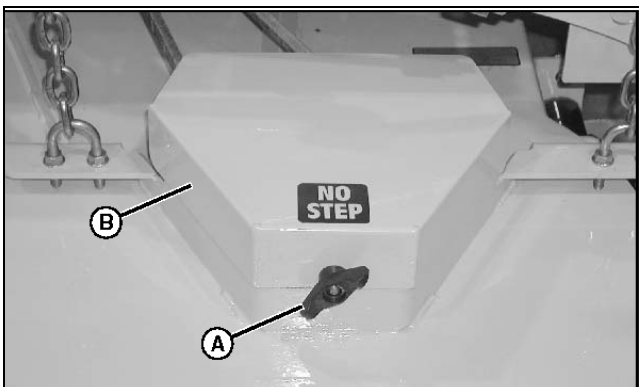
1. Insert rear of shield (B) under tabs on frame and lower shield into position.
2. Secure with knobs (A).

Removing and Installing Mower Deck Drive Belt Shields

CAUTION: Avoid injury! Help prevent serious personal injury. Do not operate the mower without the belt shields installed.

Removing Belt Shields:

1. Park machine safely. (See Parking Safely in the SAFETY section.)



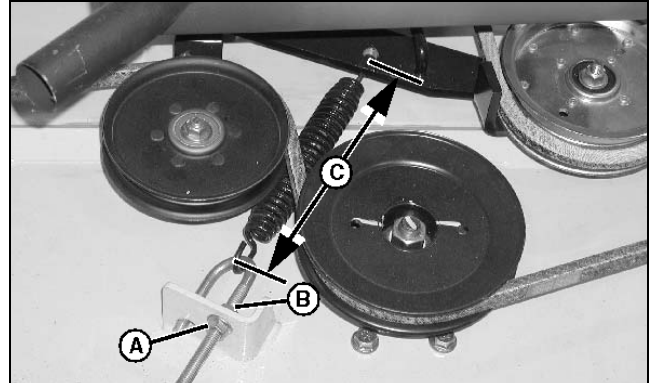
2. Remove belt shield locking knobs (A).
3. Remove belt shields (B) by sliding shield from mower deck stud.

Installing Belt Shields:

1. Install belt shields (B) by sliding shield over mower deck stud.
2. Install belt shield locking knobs (A).

Adjusting Drive Belt Tension

1. Park machine safely.
2. Adjust mower deck to the 76 mm (3 in.) cutting height position.
3. Remove mower deck shield.



MX20118

4. Measure length (C) of tension spring from inside of hook to inside of hook. The spring should measure 21.6 to 22.6 cm (8-1/2 in. to 8-7/8 in.).
 - To add tension to spring: Loosen jam nut (B). Turn nut (A) clockwise. Tighten jam nut (B).
 - To release tension from spring: Loosen jam nut (B). Turn nut (A) counterclockwise. Tighten jam nut (B).

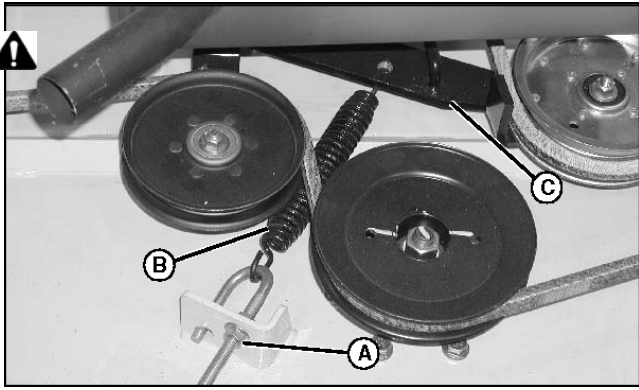
Replacing Mower Deck Drive Belt

Removing Mower Deck Drive Belt:

1. Park machine safely. (See Parking Safely in the SAFETY section.)
2. Lower mower deck to the lowest cutting height position.
3. Remove mower deck shield.
4. Remove both mower deck belt shields.

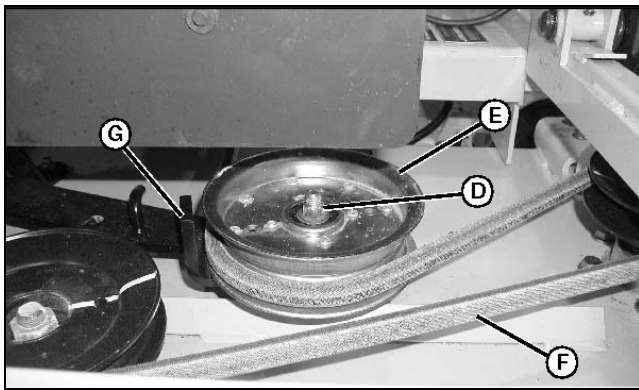
CAUTION: Avoid injury! Tensioning spring is under high tension. Wear gloves and safety glasses, and use a spring puller to install and remove spring.

SERVICE MOWER



MX20118

5. Release mower deck drive belt tension by turning adjuster nut (A) counterclockwise until two threads remain protruding through adjuster nut (A).
6. Disconnect idler spring (B) from idler arm (C) using a spring puller tool.

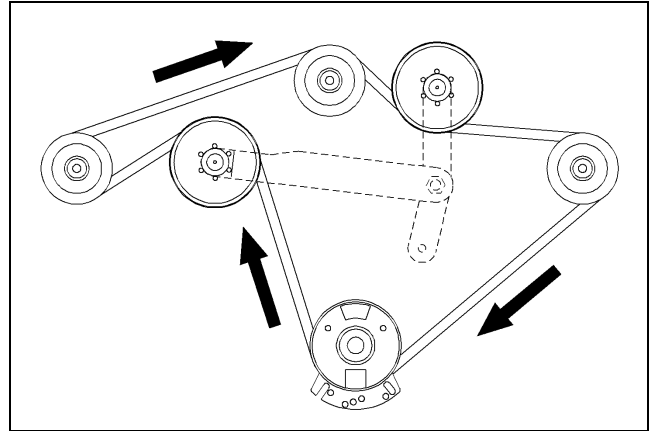


MX20120

7. Loosen idler pulley retaining nut (D) just enough to allow idler pulley (E) to tilt, allowing belt (F) to clear fixed belt guide (G).
8. Remove mower deck drive belt (F).

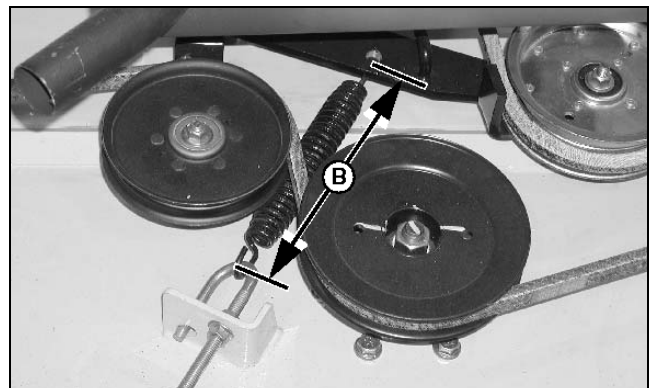
Installing Mower Deck Drive Belt:

NOTE: If necessary, see drive belt installation label on mower deck.



MX20160

1. Install replacement drive belt (A) as shown on mower deck drive belt label. Make sure drive belt is installed properly on PTO clutch sheave, spindle sheaves and idler pulleys.
2. Tighten idler pulley retaining bolt to 34 N•m (25 lb-ft) ensuring idler pulley belt is captured between idler pulley flange and belt guide.



MX20118

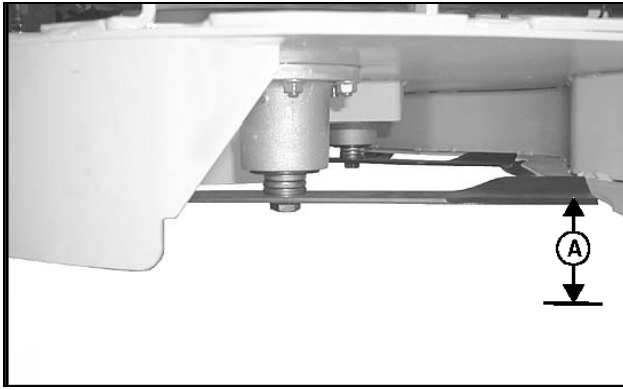
3. Connect idler tension spring and adjust tension. The length (B) of the tension spring should measure 21.6 to 22.6 cm (8-1/2 in. to 8-7/8 in.) from inside of hook to inside of hook.
4. Install both mower deck belt shields.
5. Install mower deck shield.
6. Adjust mower deck to desired cutting height.

Checking for Bent Mower Blades

⚠ CAUTION: Avoid injury! Mower blades are sharp. Always wear gloves when handling mower blades or working near blades.
Replace blades if defective. Never straighten or weld them.

1. Park machine safely. (See Parking Safely in the SAFETY section.)
2. Raise mower to highest position to access blades.

SERVICE MOWER



MX20122

Picture Note: Mower deck with side discharge used for illustration.

3. Measure distance (A) between blade tip and flat ground surface.
4. Rotate blade 180° and measure distance between other blade tip and flat ground surface.
5. Install new blade if the difference between the two measurements is more than 3 mm (1/8 in.).
6. Repeat for all blades.

Checking and Replacing Mower Blades

⚠ CAUTION: Avoid injury! Do not work near raised mower deck unless it is safely supported.
Mower blades are sharp. Wrap blades or wear gloves when servicing.
Before performing any service function, wait for all moving parts to stop turning.
Disconnect battery or remove spark plug wire before making repairs.

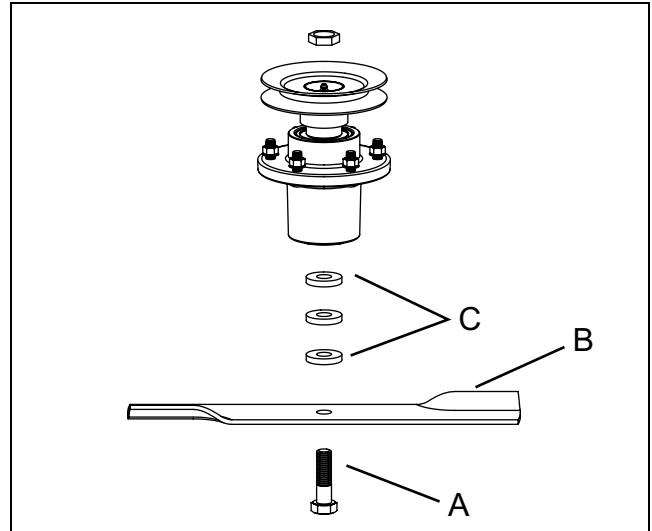
IMPORTANT: Avoid Damage! When replacing mower blades, always use genuine EverRide Service Parts.

NOTE: Only replace blades. Never straighten or weld them.

Checking Mower Blades

1. Park machine safely. (See Parking Safely in the Safety Section).
2. Raise the mower deck to the transport position (also the 12.7 cm [5 in.] cutting height position).
3. Raise front of machine with a safe lifting device.
 - Support with jack stands and/or wooden blocks.
4. Check mower blades:
 - Mower blades should be sharp and free of any damage.
 - Inspect blades; sharpen/balance or replace as necessary.

Replacing Mower Blades



1. Remove blade bolt (A), three 1/4 in. washers (B) and blade (C).
2. Install replacement blade:
 - Blade wing must face toward top of mower deck.

IMPORTANT: Avoid Damage! When installing the blade:

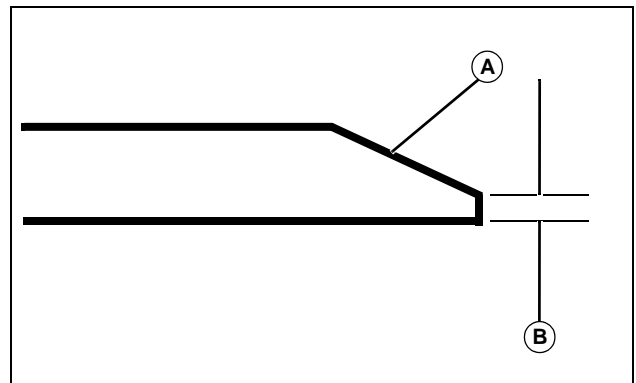
- Make sure the blade is properly seated on the spindle.
- Make sure the concave side of the large washer faces towards the blade.

- Install blade bolt (A), blade (B) and three 1/4 in. washers (C).
 - Tighten blade bolt to 163 N•m (120 lb-ft).
3. Lower machine.
 4. Adjust mower deck to a desirable cutting height.

Sharpening Blades

⚠ CAUTION: Avoid injury! Mower blades are dangerous!
Always wear gloves while working on blades.
Always wear safety eye protection when grinding.

- Sharpen blades with grinder, hand file, or electric blade sharpener.




MIF

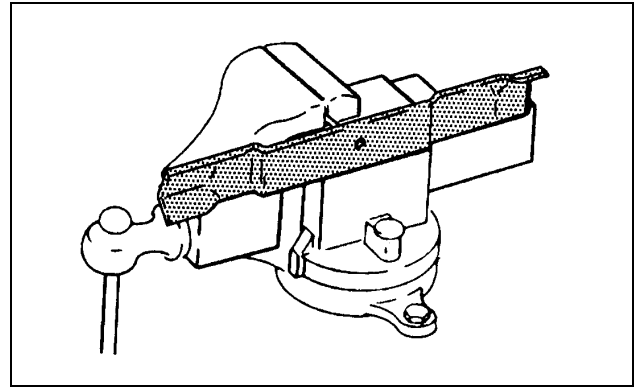
SERVICE ELECTRICAL

- Keep original bevel (A) when grinding.
- Blade should have 0.40 mm (1/64 in.) cutting edge (B) or less.
- Balance blades before installing.

Balancing Blades

 **CAUTION:** Avoid injury! Mower blades are sharp. Always wear gloves when handling mower blades or working near blades.

1. Clean blade.



M61524

2. Put blade on nail in a vise. Turn blade to horizontal position.
3. Check balance. If blade is not balanced, heavy end of blade will drop.
4. Grind bevel of heavy end. Do not change blade bevel.

Service Electrical

WARNING: Battery posts, terminals and related accessories contain lead and lead components, chemicals known to the State of California to cause cancer and reproductive harm. **Wash hands after handling.**

Service the Battery Safely



SERVICE ELECTRICAL

CAUTION: Avoid injury! Battery electrolyte contains sulfuric acid. It is poisonous and can cause serious burns:

- Wear eye protection and gloves.
- Keep skin protected.
- If electrolyte is swallowed, get medical attention immediately.
- If electrolyte is splashed into eyes, flush immediately with water for 15-30 minutes and get medical attention.
- If electrolyte is splashed onto skin, flush immediately with water and get medical attention if necessary.

The battery produces a flammable and explosive gas. The battery may explode:

- Do not smoke near battery.
- Wear eye protection and gloves.
- Do not allow direct metal contact across battery posts.
- Remove negative cable first when disconnecting.
- Install negative cable last when connecting.

Checking the Battery (Sealed Batteries)

NOTE: Do not attempt to open, add fluid or service battery. Any attempt to do so will void warranty.

- Keep battery and terminals clean.
- Keep battery bolts tight.
- Keep small vent holes open.

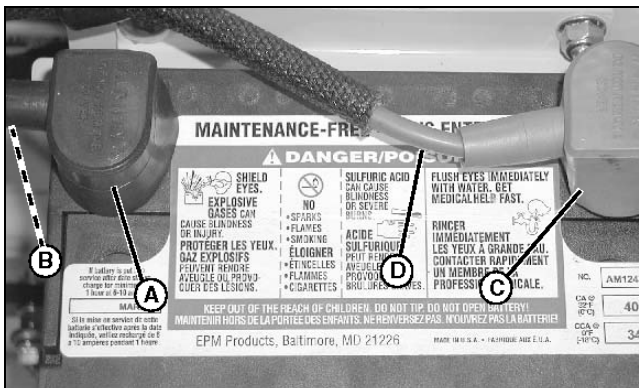
IMPORTANT: Avoid Damage! The battery comes fully charged. If the machine is not used by the service expiration date indicated on the battery, charge the battery.

Recharge, if necessary, at 6–10 amperes for 1 hour.

Removing and Installing Battery

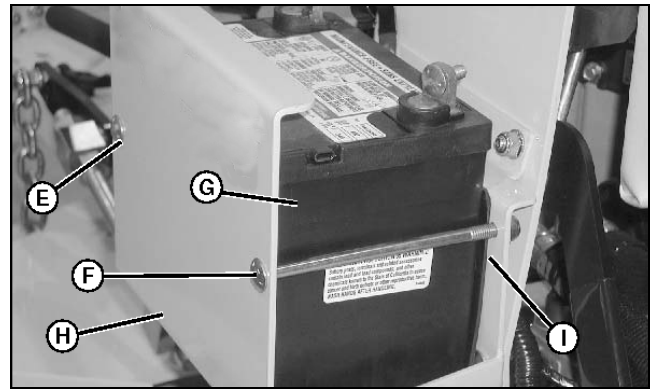
Removing:

1. Park machine safely. (See Parking Safely in the SAFETY section.)



MX20124

2. Slide back black cover (A) and disconnect negative (-) battery cable (B).
3. Slide back red cover (C) and disconnect positive (+) battery cable (D).



MX20123

4. Loosen nut on front long carriage bolt (E).
5. Remove rear long carriage bolt (F) and nut.
6. Lift and slide battery (G) out from back of battery tray (H).
7. Inspect isolator pad (I). Replace as needed.

Installing:

1. Place isolator pad (I) in battery tray (H). Ensure that isolator pad is on the bottom and sides of battery tray.
2. Install battery (G) in battery tray (H) with positive terminal in rear.
3. Install rear long carriage bolt (F) and nut. Do not overtighten.
4. Tighten nut on long carriage bolt (E) to secure battery (G) in battery tray (H). Do not overtighten.
5. Apply dielectric grease to terminals to prevent corrosion.
6. Connect the positive (+) battery cable (D) and install cover (C).
7. Connect negative (-) battery cable (B) and install cover (A).

Cleaning Battery and Terminals

1. Park machine safely. (See Parking Safely in the SAFETY section.)
2. Disconnect and remove battery.
3. Wash battery with solution of four tablespoons of baking soda to one gallon of water. Be careful not to get the soda solution into the cells.
4. Rinse the battery with plain water and dry.
5. Clean terminals and battery cable ends with wire brush until bright.
6. Apply general purpose grease or silicone spray to terminal to prevent corrosion.
7. Install battery.

Using Booster Battery

CAUTION: Avoid injury! The battery produces a flammable and explosive gas. The battery may explode:

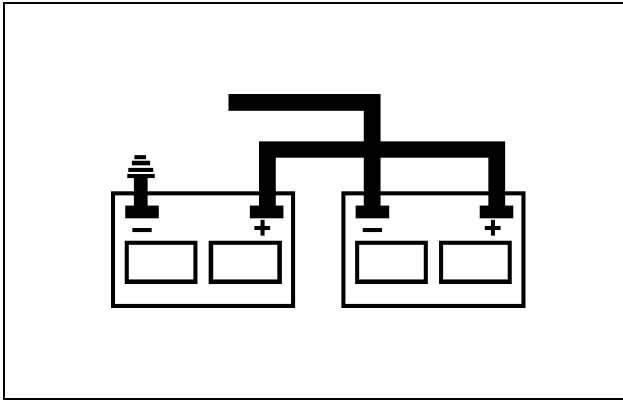
Do not smoke or have open flame near battery.

Wear eye protection and gloves.

Do not jump start or charge a frozen battery. Warm battery to 16°C (60°F).

Do not connect the negative (-) booster cable to the negative (-) terminal of the discharged battery. Connect at a good ground location away from the discharged battery.

SERVICE MISCELLANEOUS



M71044

A - Booster Battery

B - Disabled Vehicle Battery

1. Connect positive (+) booster cable to booster battery (A) positive (+) post (C).
2. Connect the other end of positive (+) booster cable to the disabled vehicle battery (B) positive (+) post (D).
3. Connect negative (-) booster cable to booster battery negative (-) post (E).

IMPORTANT: Avoid Damage! Electric charge from booster battery can damage machine components. Do not install negative booster cable to machine frame. Install only to the engine block. Install negative booster cable away from moving parts in the engine compartment, such as belts and fan blades.

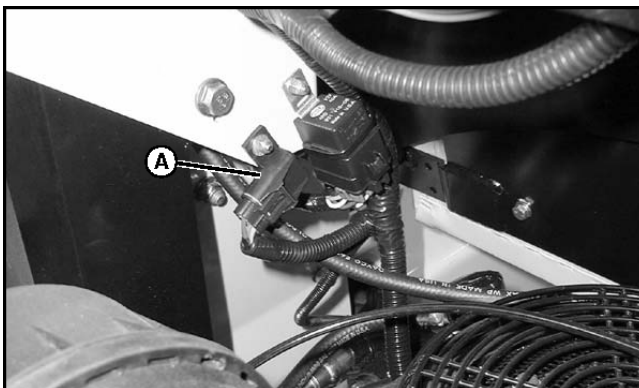
4. Connect the other end (F) of negative (-) booster cable to a metal part of the disabled machine engine block away from battery.
5. Start the engine of the disabled machine and run machine for several minutes.
6. Carefully disconnect the booster cables in the exact reverse order: negative cable first and then the positive cable.

Replacing Fuse

The electric start circuit is protected by one 20 Amp fuse.

IMPORTANT: Avoid Damage! Help prevent machine circuit damage. Make sure replacement fuse is the correct size.

1. Locate electric start fuse holder under console on right side of machine.



MX20147

- Open fuse holder (A) and remove socket with fuse.

- Check metal clip in fuse window. Discard fuse if clip is broken.
- Install new 20 Amp fuse in socket.
- Install socket with fuse in cover. Ensure that plastic tab of fuse holder is securely fastened to fuse socket.

Service Miscellaneous

Using Proper Fuel

Use regular grade unleaded fuel with an octane rating of 87 octane or higher. Fuel blends containing up to 10% ethanol or up to 15% MTBE reformulated fuel are acceptable. Do not use fuel or additives containing methanol as engine damage can occur.

Always use fresh, clean fuel that is purchased in a quantity that can be used within approximately 30 days, or add fuel stabilizer.

Fuel is blended to give best seasonal performance. To avoid engine performance problems such as hard starting or vapor lock, use in-season fuel. Use fuel during warm weather that was purchased during that season, and use fuel during cold weather that was purchased during that season.

Fuel can become stale in machines with engines that are used seasonally or infrequently during a season. Stale fuel can produce varnish and plug carburetor components which can affect engine performance.

Keep fuel storage container tightly covered and in a cool area out of direct sunlight. Fuel can break down and degrade if not sealed properly or exposed to sun and heat.

Condensation may collect in the fuel tank because of a variety of operating or environmental conditions and, over time, may affect your machine's operation. Fill fuel tank at the end of daily use and store fuel in plastic containers to reduce condensation.

For best year-round performance and fuel-handling, add stabilizer to fuel immediately after fuel purchase. Such practice helps prevent engine performance problems and allows fuel storage in the machine all year without draining.

Filling Fuel Tank



CAUTION: Avoid injury! Fuel vapors are explosive and flammable:

- Shut engine off before filling fuel tank.
- Do not smoke while handling fuel.
- Keep fuel away from flames or sparks.
- Fill fuel tank outdoors or in well ventilated area.
- Clean up spilled fuel immediately.
- Use clean approved non-metal container to prevent static electric discharge.
- Use clean approved plastic funnel without screen or filter to prevent static electric discharge.

SERVICE MISCELLANEOUS

Important: Avoid damage! Dirt and water in fuel can cause engine damage:

- Clean dirt and debris from the fuel tank opening.
- Use clean, fresh, stabilized fuel.
- Fill the fuel tank at the end of each day's operation to keep condensation out of the fuel tank.

Use a non-metallic funnel with a plastic mesh strainer when filling the fuel tank or container.

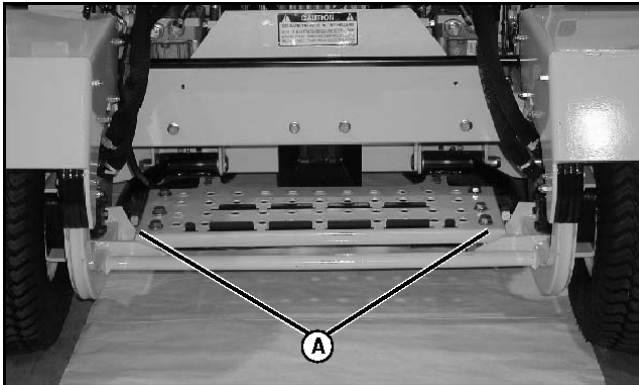
Fill fuel tank at the end of each day's operation to prevent condensation and freezing during cold weather.

1. Park machine safely. (See Parking Safely in the SAFETY section.)
2. Allow engine to cool.
3. Remove any trash from area around fuel tank cap.
4. Remove fuel tank cap slowly to allow any pressure built up in tank to escape.
5. Fill fuel tank only to bottom of filler neck.
6. Install fuel tank cap.

Removing and Installing Rear Drive Wheels

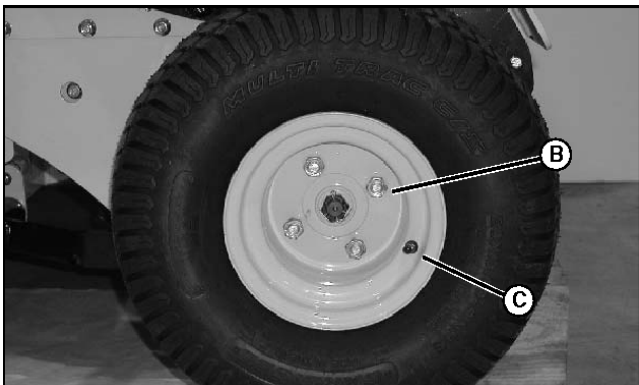
Removing:

1. Park machine safely. (Refer to Parking Safely in the SAFETY section.)



MX20126

2. Lift machine with a safe lifting device centered under tire support frame (A) on the side where tire is being removed.



MX20127

3. Remove wheel nuts (B).
4. Remove wheel.

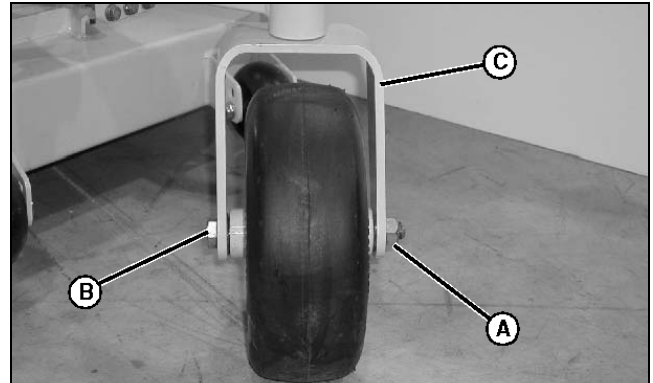
Installing:

1. Install wheel with valve stem (C) facing out.
2. Install and tighten wheel nuts alternately until recommended torque value is reached.
 - Tighten nuts to 102 N•m (75 lb-ft).
3. Lower machine.

Removing and Installing Front Caster Wheels

Removing:

1. Park machine safely. (Refer to Parking Safely in the SAFETY section.)
2. Lift front of machine with a safe lifting device.



MX20128

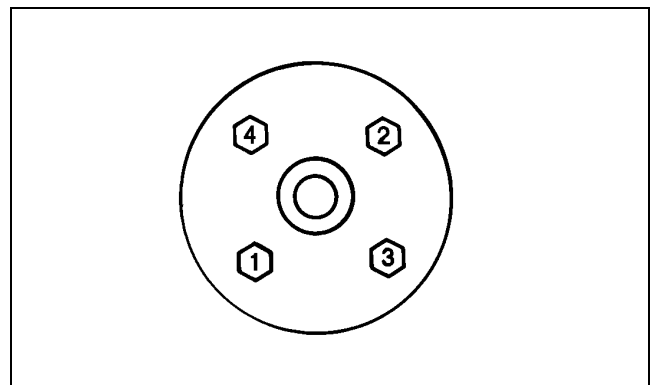
3. Remove nut (A) and wheel cap screw (B).
4. Remove wheel and spacers from yoke assembly (C).

Installing:

1. Install replacement wheel and original spacers.
2. Install wheel cap screw (B) and nut (A).
3. Tighten nut until wheel develops slight rolling resistance.
4. Lower machine.

Tightening Rear Drive Wheel Hardware

1. Tighten rear wheel nuts to 102 N•m (75 lb-ft).



MX201287

2. Tighten wheel nuts in numbered sequence shown for safe wheel installation. Tighten alternately until recommended torque value is reached.

SERVICE MISCELLANEOUS

Checking Tire Pressure



MIF

CAUTION: Avoid injury! Explosive separation of tire and rim parts is possible when they are serviced incorrectly:

Do not attempt to mount a tire without the proper equipment and experience to perform the job.

Do not inflate the tires above the recommended pressure.

Do not weld or heat a wheel and tire assembly. Heat can cause an increase in air pressure resulting in an explosion. Welding can structurally weaken or deform the wheel.

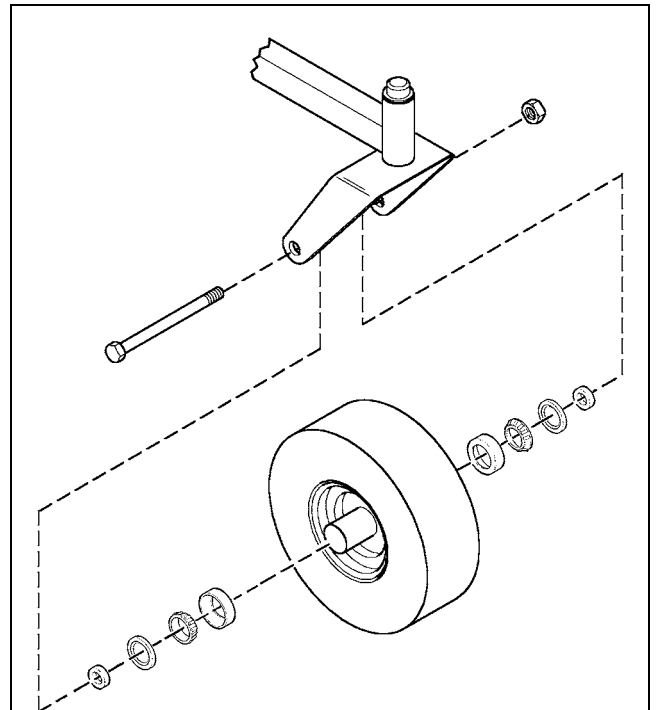
Do not stand in front or over the tire assembly when inflating. Use a clip-on chuck and extension hose long enough to allow you to stand to one side.

1. Check tires for damage.
2. Check tire pressure with an accurate gauge.
3. Add air, if necessary:

Tire Size	Pressure
Front: 13 x 5-6	110–138 kPa (16–20 psi)
Rear: 20 x 10-8	69–97 kPa (10–14 psi)
Rear: 20 x 5.3C	69–97 kPa (10–14 psi)

Servicing Caster Wheel Roller Bearings

1. Park machine safely. (See Parking Safely in the SAFETY section.)
2. Raise and securely support front of machine.



MX20186

3. Remove locknut (A), cap screw (B), two seal spacers (C) and wheel assembly (D).

NOTE: Bearing races (G) are pressed in place and will be damaged when removed. Do not remove bearing races (G) unless they need to be replaced with new.

4. Remove seals (E), bearings (F) and if needed, bearing races (G) from wheel.
5. Clean and inspect bearings (F) and races (G). Replace as needed.
6. Repack bearings with clean grease.
7. Install bearings (F) and races (G) (if removed), and new seals (E).
8. Install wheel assembly (D), two seal spacers (C), cap screw (B) and locknut (A).
9. Use a grease gun to fill hub until grease just appears at one of the seals (E).
10. Lower machine.

Cleaning and Repairing Plastic Surfaces

Your authorized dealer has the professional materials needed to properly remove surface scratches from any plastic surfaces, do not attempt to paint over marks or scratches in plastic parts.

IMPORTANT: Avoid Damage! Improper care of machine plastic surfaces can damage that surface:

Do not wipe plastic surfaces when they are dry. Dry wiping will result in minor surface scratches.

Use a soft, clean cloth (bath towel, diaper, automotive mitt).

Do not use abrasive materials, such as polishing compounds, on plastic surfaces.

Do not spray insect repellent near machine.

1. Wash surface with clean water and a mild liquid automotive washing soap.

TROUBLESHOOTING

2. Dry thoroughly to avoid water spots.

Cleaning and Repairing Metal Surfaces

Cleaning:

Follow automotive practices to care for your vehicle painted metal surfaces. Use a high-quality automotive wax regularly to maintain the factory look of your vehicle's painted surfaces.

Repairing Minor Scratches (surface scratch):

1. Clean area to be repaired thoroughly.

IMPORTANT: Avoid damage! Do not use rubbing compound on painted surfaces.

2. Use automotive polishing compound to remove surface scratches.

3. Apply wax to entire surface.

Repairing Deep Scratches (bare metal or primer showing):

1. Clean area to be repaired with rubbing alcohol or mineral spirits.

2. Use paint stick with factory-matched colors available from your authorized dealer to fill scratches. Follow directions included on paint stick for use and for drying.

3. Smooth out surface using an automotive polishing compound. Do not use power buffer.

4. Apply wax to surface.

Troubleshooting

Using Troubleshooting Chart

If you are experiencing a problem that is not listed in this chart, see your authorized dealer for service.

When you have checked all the possible causes listed and you are still experiencing the problem, see your authorized dealer.

Engine

If	Check
Poor Engine Performance	Fuel: <ul style="list-style-type: none"> • Dirt in fuel system or fuel is old. Replace fuel with fresh stabilized fuel. Obtain fuel from another supplier before suspecting machine problems. Suppliers blend fuels differently and changing suppliers will generally solve any performance problems. • Fuel blended with alcohol or ether may contribute to performance problems by causing gum and varnish deposits, especially if fuel is stored for several weeks or more. Obtain fresh fuel.

If	Check
Engine Will Not Start Or Is Hard To Start	<ul style="list-style-type: none"> • Park brake lever not in the proper position. • Check that motion control levers are in neutral and neutral switches are correctly adjusted. • PTO engaged. • Stale or improper fuel/fuel level. • Plugged fuel filter. • Plugged air intake filter. • Spark plug wires loose or disconnected. • Spark plugs not gapped correctly. • Blown fuse. • Electrical problem – dead battery. • Choke adjusted incorrectly. See your authorized dealer.
Engine Will Not Slow Idle	<ul style="list-style-type: none"> • Carburetion problems. See your authorized dealer. • Bent or kinked throttle cable. • Bent governor control. • Incorrect governor idle control.
Engine Runs Rough or Stalls	<ul style="list-style-type: none"> • Plugged fuel filter. • Plugged air intake system. Fuel cap vent dirty. • Stale or improper fuel/fuel level. • Spark plugs not gapped correctly. • Replace spark plugs. • Choke adjusted incorrectly. See your authorized dealer.
Engine Knocks	<ul style="list-style-type: none"> • Engine oil level low. • Reduce load. (Slower ground speed.) • Fuel is bad. Fill tank with fresh fuel, correct octane. • Idle speed too slow.
Engine Overheats	<ul style="list-style-type: none"> • Clean cooling fins. • Low oil level. • Do not operate at slow idle. Operate at fast idle. • Cooling air intake screen is dirty. • Plugged carburetor air intake filter. • Plugged air intake filter. • Operating at too fast ground speed for conditions.

TROUBLESHOOTING

If	Check
Engine Lacks Power	<ul style="list-style-type: none"> • Reduce load. • Plugged air intake system. • Plugged fuel filter. • Improper type of fuel. Drain tank and fill with correct fuel. • Clean cooling fins to help prevent overheating. • Replace spark plugs.
Engine Uses Too Much Oil	<ul style="list-style-type: none"> • Find and correct oil leaks. • Incorrect engine oil. • Plugged oil filter. • Plugged air intake filter. • Worn engine components.
Engine Backfires Through Muffler	<ul style="list-style-type: none"> • Throttle lever should be at low idle for thirty seconds before turning off machine.
High Fuel Consumption	<ul style="list-style-type: none"> • Improper type of fuel. • Plugged air intake system. • Operating at too fast ground speed for conditions. • Improper valve clearance. See your authorized dealer. • Restricted air intake system.
Other Symptoms	<ul style="list-style-type: none"> • See engine manufacturer's owner's manual provided with your machine for additional information.

Electrical System

If	Check
Starter Will Not Work	<ul style="list-style-type: none"> • Blown fuse. • Park brake switch is faulty. • Loose or corroded battery connections. • Neutral switches faulty or not adjusted properly. See your authorized dealer. • Key switch or starter faulty. See your authorized dealer. • PTO engaged. • Motion control levers and park brake lever not in proper position.
Battery Will Not Charge	<ul style="list-style-type: none"> • Loose or corroded connections. • Blown fuse or fusible link. See your authorized dealer.
PTO Switch Does Not Work	<ul style="list-style-type: none"> • Blown fuse. • PTO switch faulty.

If	Check
Starter Turns Slowly	<ul style="list-style-type: none"> • Loose or corroded battery connections. • Low battery power-charge battery. • Engine oil viscosity too heavy. • Hydraulic pump linkage out of adjustment-pumps engaged.

Machine

If	Check
Excessive Machine Vibration	<ul style="list-style-type: none"> • Engine speed too slow. • Deck drive belt not tensioned correctly. • Mower blades not balanced.
Machine Will Not Move With Engine Running	<ul style="list-style-type: none"> • Park brake locked. • Transmission oil level low. • Transmission oil cold – allow engine to warm up. • Pump drive belt slipping or broken. • Pump drive belt spring broken. • Pump free-wheel valves open. • Transmission problems. See your authorized dealer.
Machine Creeps With Engine Running and Motion Control Levers in a Neutral Position	<ul style="list-style-type: none"> • Needs motion control linkage adjustment. • Needs ? Adjustment.

Park Brake

If	Check
Park Brake Not Working Correctly	<ul style="list-style-type: none"> • Park brake out of adjustment – adjust linkage.

Steering

If	Check
Steering Not Working	<ul style="list-style-type: none"> • Pump free-wheel valves partially open. • Improper tire inflation. • Hydrostatic transmission oil level low. • Traction drive loose or broken. • Hydraulic pump or wheel motor faulty.

STORAGE

Mower Deck

If	Check
Discharge Chute Plugged	<ul style="list-style-type: none"> • Grass is wet-mow grass only when dry. • Raise cutting height. • Mow with engine at full fast throttle. • Ground speed too fast for conditions. • Correct installation of deck drive belt.
Mower Deck Vibrates	<ul style="list-style-type: none"> • Run engine at fast throttle. • Loose hardware. • Check/replace deck drive belt. • Blade bolts are loose. • Blades are bent or worn. • Sharpen and balance blades. • Remove belt shields and clean debris from sheaves. • Check sheaves for proper alignment or damage. See authorized dealer.
Mower Blades Do Not Engage	<ul style="list-style-type: none"> • Deck drive belt slipping or broken. • Deck belt tension spring not installed or broken. • PTO switch faulty. • Fuse blown. • Loose electrical connections. • PTO clutch faulty.
Mower Mows Unevenly	<ul style="list-style-type: none"> • Mower deck not properly leveled. • Ground speed too fast for conditions. • Run engine at fast throttle. • Reduce ground speed when making turns. • Sharpen or replace blades. • Change mowing pattern. • Check air pressure in all traction unit tires. • Anti-scalp rollers not adjusted correctly.

Storage

Storing Safety



CAUTION: Avoid injury! Fuel vapors are explosive and flammable. Engine exhaust fumes contain carbon monoxide and can cause serious illness or death:

Run the engine only long enough to move the machine to or from storage.

Do not store vehicle with fuel in the tank inside a building where fumes may reach an open flame or spark.

Allow the engine to cool before storing the machine in any enclosure.

Preparing Machine for Storage

1. Repair any worn or damaged parts. Replace parts if necessary. Tighten loose hardware.
2. Repair scratched or chipped metal surfaces to prevent rust.
3. Remove grass and debris from machine.
4. Clean under the deck and remove grass and debris from inside chute and bagger.
5. Wash the machine and apply wax to metal and plastic surfaces.
6. Run machine for five minutes to dry belts and pulleys.
7. Apply light coat of engine oil to pivot and wear points to prevent rust.
8. Lubricate grease points and check tire pressure.

Preparing Fuel and Engine For Storage

Fuel:

If you have been using "Stabilized Fuel," add stabilized fuel to tank until the tank is full.

NOTE: Filling the fuel tank reduces the amount of air in the fuel tank and helps reduce deterioration of fuel.

If you are not using "Stabilized Fuel:"

1. Park machine safely in a well-ventilated area. (See Parking Safely in the SAFETY section.)

NOTE: Try to anticipate the last time the machine will be used for the season so very little fuel is left in the fuel tank.

2. Turn on engine and allow to run until it runs out of fuel.
3. For machines equipped with key switch, turn key to off position.

IMPORTANT: Avoid Damage! Stale fuel can produce varnish and plug carburetor or injector components and affect engine performance.

- Add fuel conditioner or stabilizer to fresh fuel before filling tank.

4. Mix fresh fuel and fuel stabilizer in separate container. Follow stabilizer instructions for mixing.

5. Fill fuel tank with stabilized fuel.

6. Run engine for a few minutes to allow fuel mixture to circulate through carburetor on gas engine or fuel injectors on diesel engine.

Engine:

Engine storage procedure should be used when vehicle is not to be used for longer than 60 days.

ASSEMBLY

1. Change engine oil and filter while engine is warm.
 2. Service air filter if necessary.
 3. Clean debris from engine air intake screen.
 4. On gas engines:
 - Remove spark plugs. Put 30 mL (1 oz) of clean engine oil in cylinders.
 - Install spark plugs, but do not connect spark plug wires.
 - Crank the engine five or six times to allow oil to be distributed.
 5. Clean the engine and engine compartment.
 6. Remove battery.
 7. Clean the battery and battery posts. Check the electrolyte level, if your battery is not maintenance free.
 8. Close fuel shut-off valve, if your machine is equipped.
 9. Store the battery in a cool, dry place where it will not freeze.
- NOTE: The stored battery should be recharged every 90 days.**
10. Charge the battery.

IMPORTANT: Avoid Damage! Prolonged exposure to sunlight could damage the hood surface. Store machine inside or use a cover if stored outside.

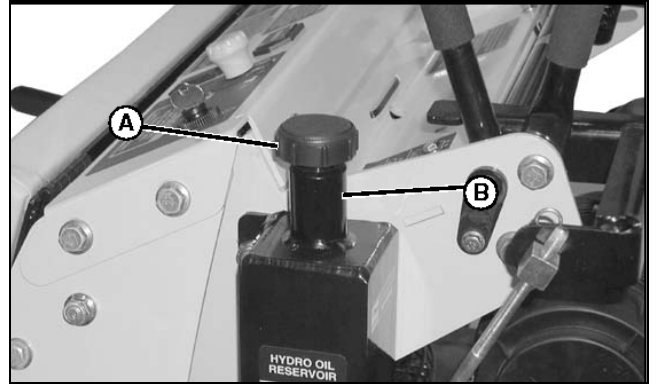
11. Store the vehicle in a dry, protected place. If vehicle is stored outside, put a waterproof cover over it.

Removing Machine From Storage

1. Check tire pressure.
2. Check engine oil level.
3. Check battery electrolyte level, if your battery is not maintenance free. Charge battery if necessary.
4. Install battery.
5. On gas engines: Check spark plug gap. Install and tighten plugs to specified torque.
6. Lubricate all grease points.
7. Open fuel shut-off valve, if your machine is equipped.
8. Run the engine 5 minutes without the mower or any attachments running to allow oil to be distributed throughout engine.
9. Be sure all shields and guards or deflectors are in place.

Assembly

Check Hydraulic Oil Level



MX20114

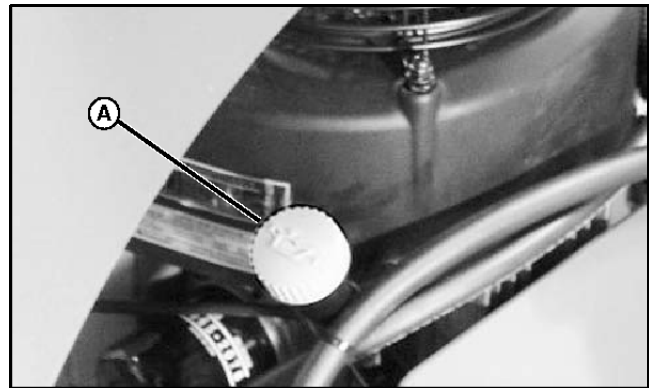
1. Clean area around dipstick cap (A).
2. Remove dipstick cap (A). Wipe dipstick clean.

NOTE: Do not tighten dipstick cap when checking oil level.

3. Insert dipstick in filler neck (B). Do not tighten cap.
4. Remove dipstick. Check oil level on dipstick. Oil level should be between the ADD and FULL marks on dipstick.
 - If oil level is below ADD mark, fill to proper level.
 - If oil level is above FULL mark, drain to proper level.
5. Insert dipstick. Tighten cap.

Check Engine Oil Level

1. Lift thigh pad.



MX12833

2. Clean area around dipstick cap (A).
3. Remove dipstick cap (A) from tube. Wipe dipstick clean.

NOTE: Do not tighten dipstick cap when checking oil level.

4. Insert dipstick in tube. Do not tighten cap.
5. Remove dipstick. Check oil level on dipstick. Oil level should be between the ADD and FULL marks.
 - If oil level is below ADD mark, fill to proper level.
 - If oil level is above the FULL mark, drain to proper level.
6. Insert dipstick. Tighten cap.

SPECIFICATIONS

Connect Battery

⚠ CAUTION: Avoid injury! Prevent Battery Explosions:

- Keep sparks, lighted matches, and open flame away from the top of battery. Battery gas can explode.
- Never check battery charge by placing a metal object across the posts. Use a volt-meter or hydrometer.
- Do not charge a frozen battery; it may explode. Warm battery to 16 degrees C (60 degrees F).



MX20124

1. Connect positive (red) cable to battery positive (+) terminal. Install red terminal cover (A).
2. Connect negative (black) cable to battery negative (-) terminal. Install black terminal cover (B).

Check Mower Deck Level

The mower deck is assembled and adjusted at the factory. After machine is completely assembled, check the mower front-to-rear and side-to-side deck level.

Check Machine Safety Systems

Perform safety system check to make sure the electronic safety interlock circuit is functioning properly.

Specifications

Engine

Note: See engine manufacturer's owner's manual provided with your machine for engine specifications.

Drivetrain

Type Dual Hydrostatic Pumps
 Pumps Hydro-Gear BDP-10A
 Wheel Motors Hydro-Gear HGD-12-1792
 Number of Speeds Infinitely Variable

Electrical System

Charging System 15 Amp

Ignition Flywheel Starter
 Starter Solenoid Shift

Fuel System

Fuel Type Gasoline, Regular Unleaded
 Fuel Tank Location On Right Side of Operator
 Fuel Capacity 22.7 L (6.0 gal)

Steering and Brakes

Steering Dual Control Levers
 Steering Hydraulic
 Park Brake Tire Contact

Tires

Rear (Model 647) 20 x 8-8 (with 48 in. deck)
 Front 13 x 5-6
 Rear (Models 657, 667) 20 x 10-8 (with 54 in. and 60 in. deck)
 Inflation Rear (Maximum) 69–97 kPa (10–14 psi)
 Inflation Front (Maximum) 110–138 kPa (16–20 psi)

Battery

Voltage 12-volt
 CCA 340-amp
 Reserve Capacity 67 minutes
 BCI Group Size U1L

Capacities

Fuel Tank 22.7 L (6 gal)
 Hydraulic Oil (With Filter) 3.1 L (3.3 qt)
 Engine Oil (With Filter) 1.9 L (2.0 qt)

Travel Speeds at Full Engine RPM

Forward 0–14.8 km/h (0–9.2 mph)
 Reverse 0–6.4 km/h (0–4 mph)

Dimensions

Wheel Base 1.32 m (52 in.)
 Overall Height 1.14 m (45 in.)
 Overall Length (Model 647) 1.6 m (65.5 in.)
 Overall Length (Model 657 and Model 667) 1.7 m (68.5 in.)
 Overall Width (48 inch deck with chute up) 1.36 m (53.5 in.)
 Overall Width (48 inch deck with chute down) 1.57 m (62 in.)
 Overall Width (52 inch deck with chute up) 1.46 m (57.5 in.)
 Overall Width (52 inch deck with chute down) 1.73 m (68 in.)

Recommended Lubricants

Engine Oil See Applicable Engine Manual
 Hydraulic Oil 5W-50 or 15W-50 All Synthetic Oil

Grease: (This may change for high-speed applications such as cutting units)

. All-Purpose Grease with an NLGI Grade No. 2 Rating

(Specifications and design subject to change without notice.)

GETTING QUALITY SERVICE

Getting Quality Service

Service Literature

If you would like to order a copy of the Parts Catalog or Operator Manual for this machine, contact your dealer. Parts catalogs and operator manuals are also available online at www.EverRide.com.

Parts

We recommend **EverRide** quality parts available at your **EverRide** dealer.

Part numbers may change, use part numbers listed below when you order. If a number changes, your dealer will have the latest number.

When you order parts, your **EverRide** dealer needs your machine serial number and engine serial number. These are the numbers that you recorded in the Product Identification section of this manual.

EverRide Quality Continues with Quality Service

EverRide provides a process to handle your questions or problems, should they arise, to ensure that product quality continues with your authorized **EverRide** dealer's parts and service support.

Follow the steps below to get answers to any questions you may have about your product.

Refer to your attachment and machine operator manuals.

Contact your authorized **EverRide** dealer with unanswered questions.

Part Numbers

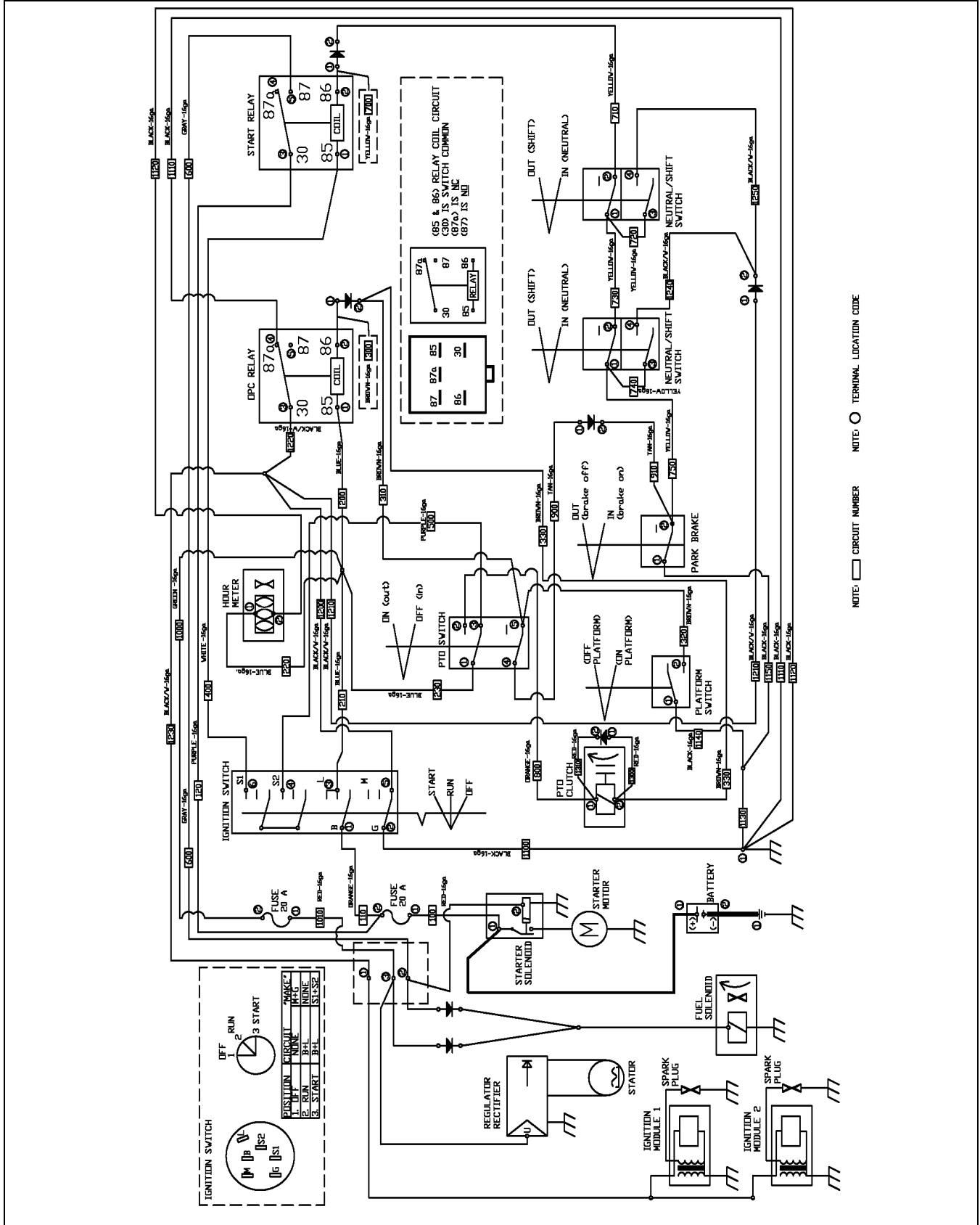
Item	Part Number
Mower Blades:	
48-Inch Deck	GDU10230
52-Inch Deck	GDU10231
Hydraulic Oil Filter	GDU10137
Battery	TY25221
Fuse - 20 amp	57M7120
Belts:	
Hydraulic Drive Belt	GDU10025
48-Inch Mower Deck Belt	TCU18847
52-Inch Mower Deck Belt	TCU18848

(Part numbers are subject to change without notice. Part Numbers may be different outside the U.S.A.)

SERVICE MISCELLANEOUS

Kohler Wiring Schematics

Service Miscellaneous

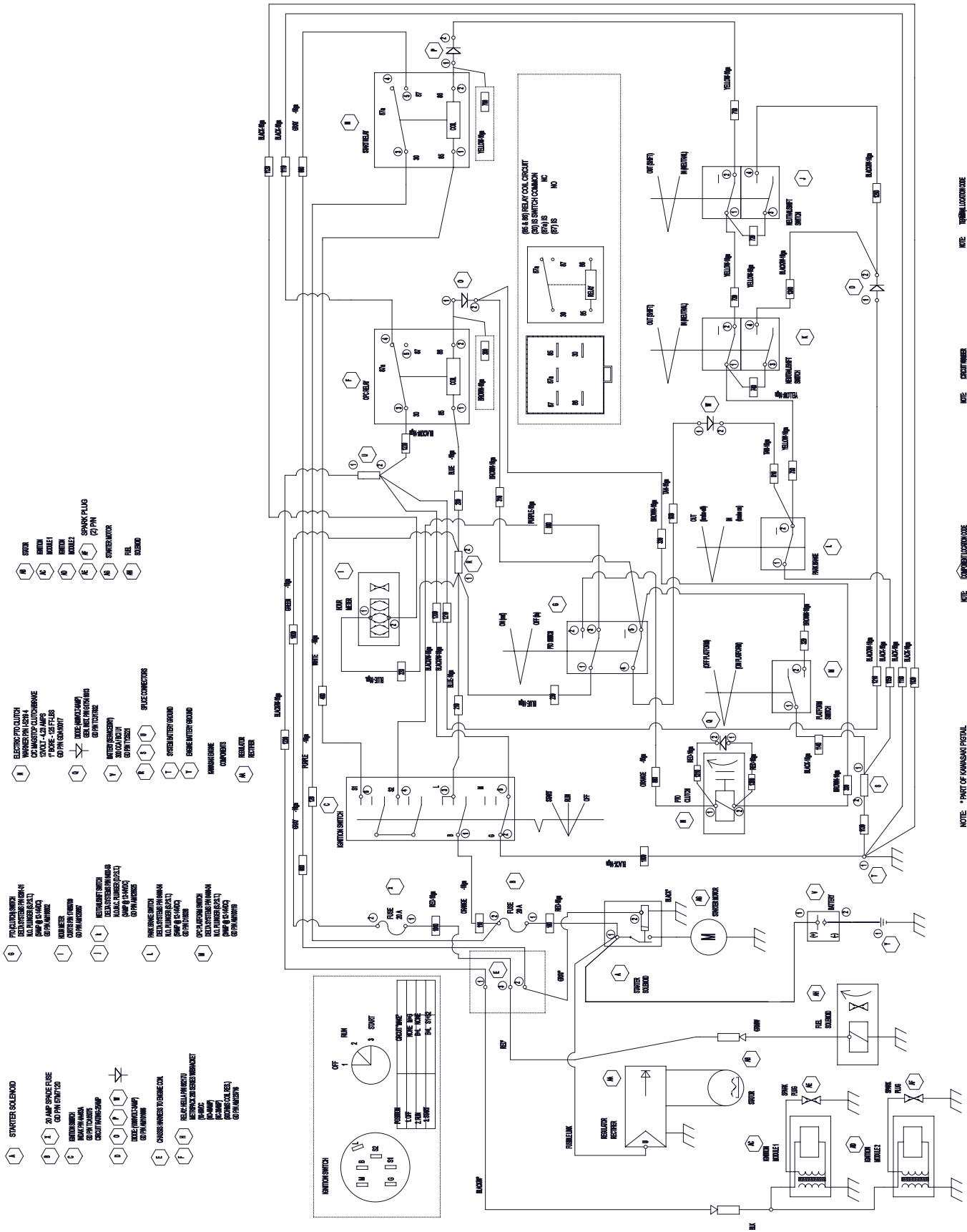


MX20146

SERVICE MISCELLANEOUS

Service Miscellaneous

Kawasaki Wiring Schematics



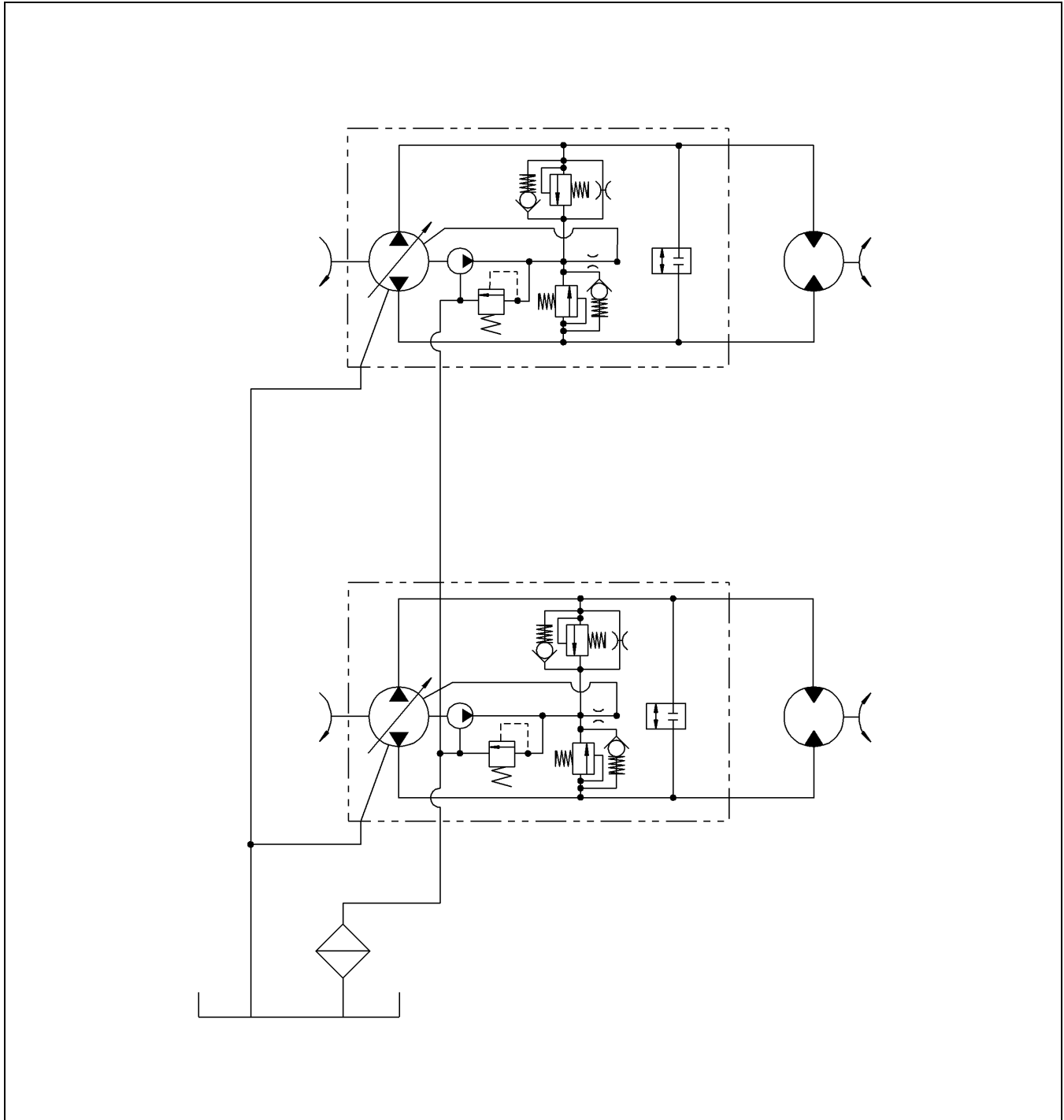
NOTE: *PART OF KAWASAKI RETAIL ADAPTER ASSEMBLY

NOTE: COMPONENTS

SERVICE MISCELLANEOUS

Hydraulic Schematics

Service Miscellaneous



MX20151

System Charge Check Shock Valve (Forward)

Left Hydrostatic Pump Assembly

Charge Relief Valve

Pump Block

Right Hydrostatic Pump Assembly

Charge Pump

Right Wheel Motor

System Charge Check Shock Valve (Reverse)

Inlet Filter

Manual Bypass

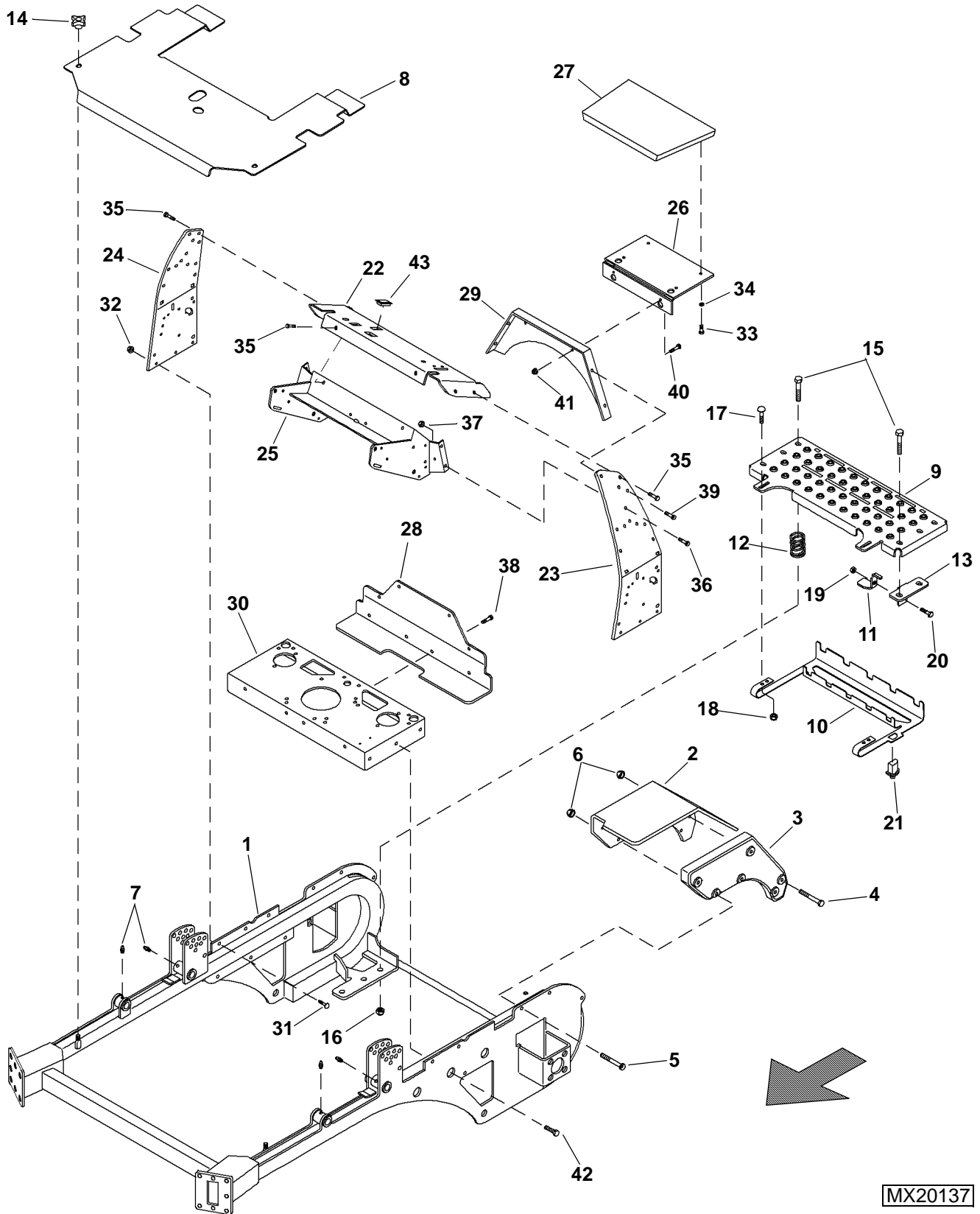
Hydraulic Reservoir

Left Wheel Motor

Cooling Orifice

SERVICE MISCELLANEOUS

MAIN FRAME, TRACTION DECK, CONSOLE AND OPC PLATFORM

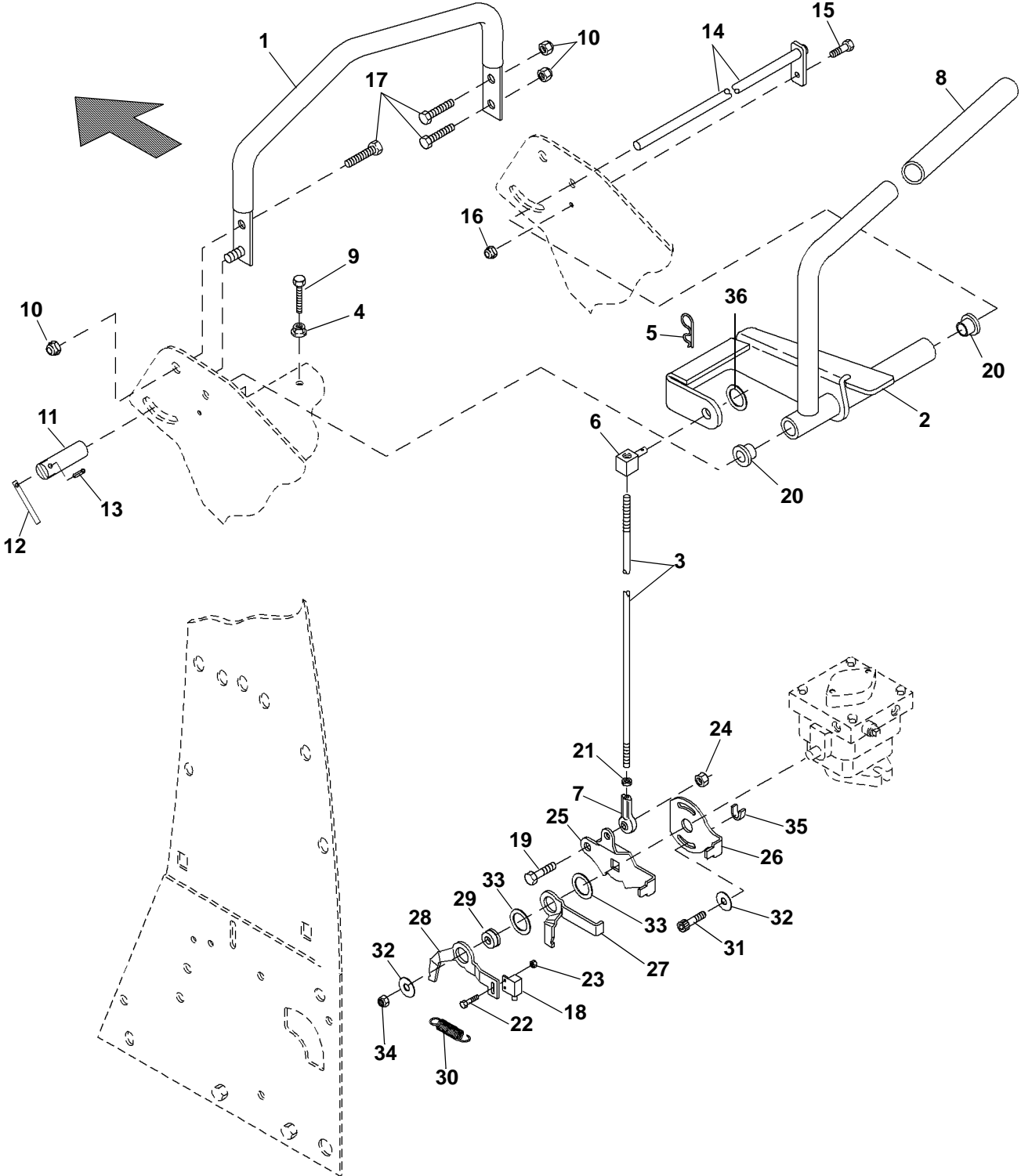


MX20137

MAIN FRAME, TRACTION DECK, CONSOLE AND OPC PLATFORM

Ref. No.	Part No.	Description	Qty.	Remarks
1	200055	Frame -	1	W/ 48"-52" Deck
	200076	Frame -	1	W/ 61" Deck
2	200056	Fender, Left	1	
	200057	Fender, Right	1	
3	200038	Weight	2	
4	19M7270	Cap Screw	6	M8 x 1.25 x 65
5	19M7803	Cap Screw	6	M8 x 1.25 x 70
6	14M7396	Nut	12	M8 x 1.25
7	JD7842	Lubrication Fitting	4	
8	200028	Deck Shield Assembly	1	48" and 52" deck
	200029	Deck Shield Assembly	1	61" deck
9	200058	Platform	1	
10	TCU18391	Bracket, OPC Actuating	1	
11	TCU18393	Actuator Tab, OPC Switch	1	
12	D38128	Spring	6	
13	TCU18392	Bracket, Switch Actuator Tab	1	
14	M119352	Knob	2	
15	19M7818	Cap Screw	6	M12 x 1.75 x 80
16	14M7299	Nut	6	M12 x 1.75
17	19M7866	Carriage Bolt	4	M8 x 1.25 x 20
18	14M7396	Lock Nut	4	M8 x 1.25
19	14M7397	Flange Nut	1	M6 x 1.0
20	19M7775	Cap Screw	1	M6 x 1.0 x 10
21	AM103119	OPC Switch	1	
22	200039	Control Console W/Decals	1	
23	200059	Side Bracket, Left	1	
24	200060	Side Bracket, Right	1	
25	200061	Handle Mount	1	
26	D15368	Plate, Thigh Pad	1	
27	200004	Pad, Thigh	1	
28	200030	Shield	1	
29	D15305	Plate	1	
30	200063	Engine/Traction Deck	1	
31	03M7191	Carriage Bolt	6	M10 x 1.5 x 25
32	14M7400	Flange Nut, Locking	6	M10 x 1.5
33	19H1948	Cap Screw	4	1/4" x 3/4"
34	12H302	Lock Washer	4	1/4"
35	19M7784	Cap Screw, Flange Head	6	M10 x 1.5 x 20
36	19M7785	Cap Screw	4	M10 x 1.5 x 25
37	14M7400	Flange Nut, Locking	4	M10 x 1.5
38	19M7784	Cap Screw, Flange Head	4	M10 x 1.5 x 20
39	T34037	Cap Screw	4	3/8"-16 x 3/4"
40	19M7784	Cap Screw, Flange Head	2	M10 x 1.5 x 20
41	14M7400	Flange Nut, Locking	2	M10 x 1.5
42	19M7784	Cap Screw, Flange Head	6	M10 x 1.5 x 20
43	M115279	Plug	1	Optional light switch hole

DRIVE CONTROLS AND LINKAGE



MX20210

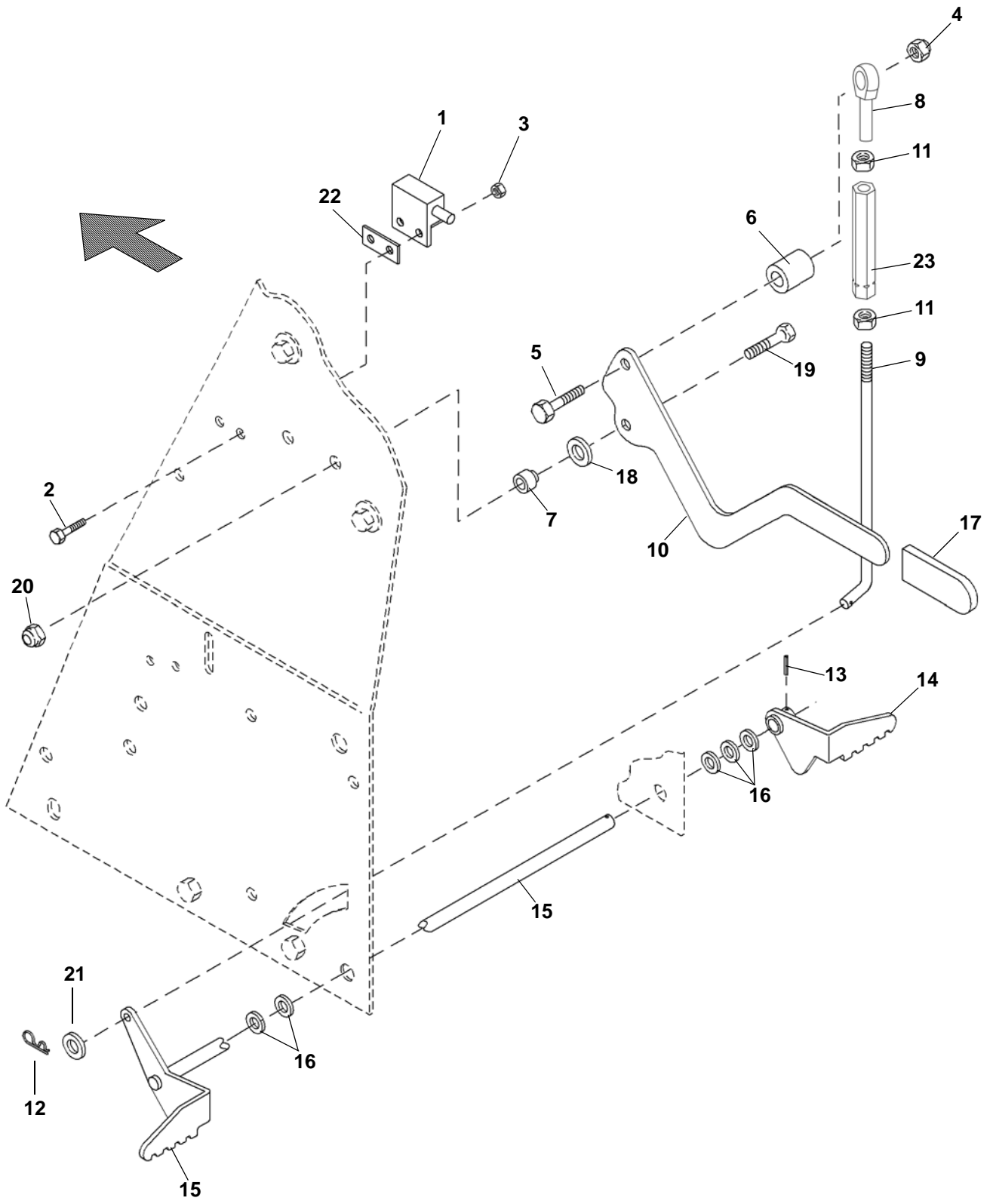
DRIVE CONTROLS AND LINKAGE

Ref. No.	Part No.	Description	Qty.	Remarks
1	D18069	Speed Limiter	1	
2	200080	Steering Controller, RH	1	
	200081	Steering Controller, LH	1	
3	D13029	Control Rod	2	
4	14M7303	Flange Nut	2	M6 x 1.0
5	J16913	Spring Pin	2	
6	D13028	Swivel	2	
7	D38157	Rod End	2	
8	D18093	Grip	2	
9	19M7547	Cap Screw, Reverse Stop	2	M6 x 1.0 x 55
10	14M7400	Flange Lock Nut	3	M10 x 1.5
11	D13308	Base, Speed Control Lock	1	
12	D13309	Handle	1	
13	34H60	Spring Pin	1	5/32 x 1
14	TCA15195	Shaft, Pivot	1	
15	19M7862	Cap Screw	1	M6 x 1.0 x 20
16	14M7397	Lock Nut	1	M6 x 1.0
17	19M7785	Cap Screw	3	M10 x 1.5 x 25
18	AM128925	Switch, Neutral	2	
19	19H1905	Cap Screw	2	5/16-18 x 1
20	D18013	Bushing	4	
21	14H650	Jam Nut	2	5/16-24
22	19M7372	Cap Screw	2	M5 x 0.8 x 16
23	14M7360	Nut	2	M5 x 0.8
24	D14081	Lock Nut	2	5/16-18
25*	TCU19201	Arm, Control RTN	2	
26*	TCU19202	Arm, Return	2	
27*	TCU18929	Arm, RH Inner RTN	2	
	TCU18931	Arm, LH Inner RTN	2	
28*	TCU18932	Arm, LH Outer RTN	2	
	TCU18930	Arm, RH Outer RTN	2	
29*	TCU19203	Spacer	2	
30*	TCU19204	Spring	2	
31*	TCU19209	Screw	2	5/16 x 1 patch lock
32*	TCU19205	Washer	4	
33*	TCU19206	Washer, Nylon	4	
34*	TCU19207	Lock Nut	2	5/16-24
35*	TCU19208	Spacer	2	
36	24H1305	Washer	1	.406 x .812 x .065 Flat

* Included with new Hydrostatic Pump.

NOTES

PARK BRAKE

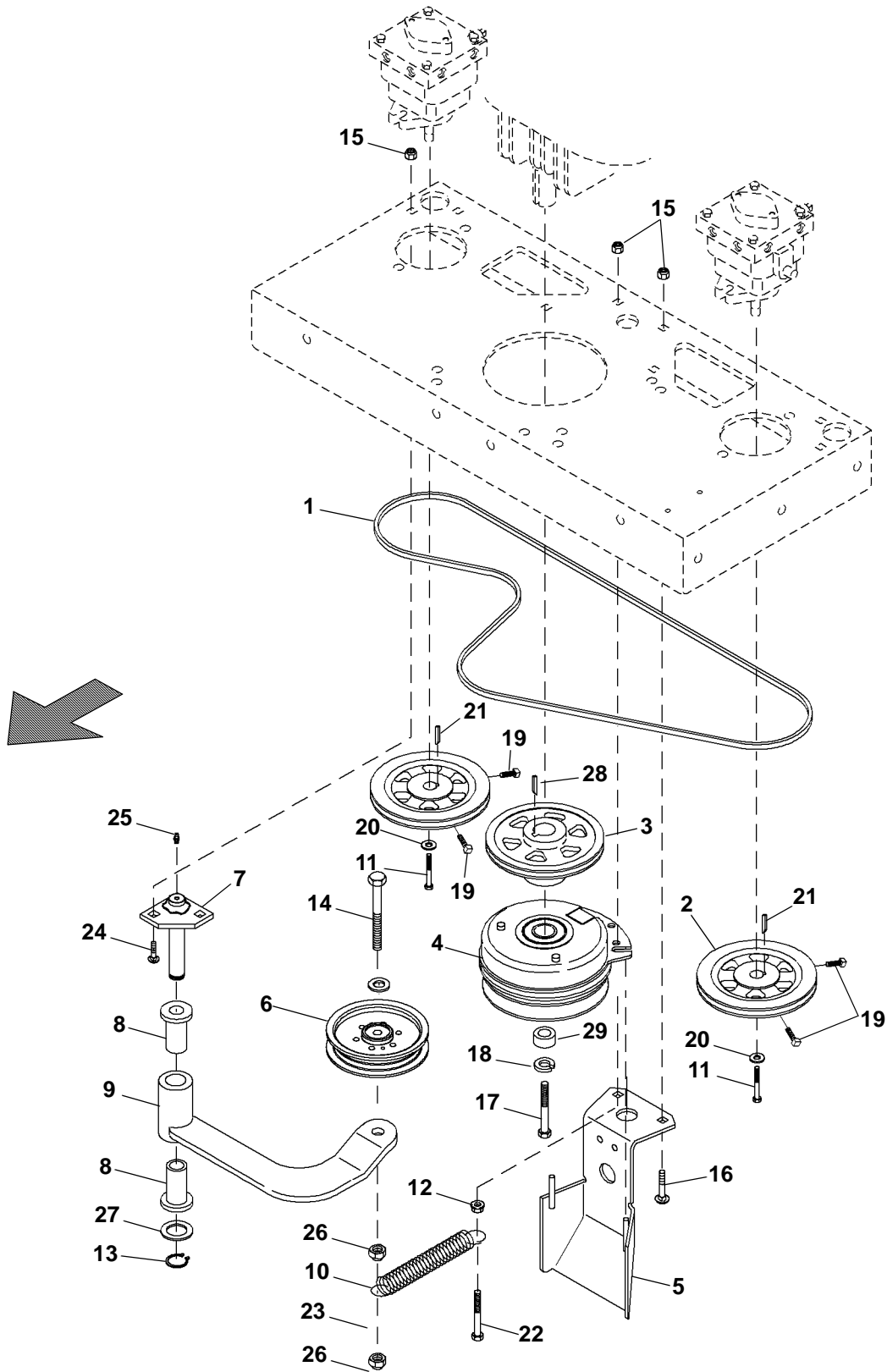


PARK BRAKE

Ref. No.	Part No.	Description	Qty.	Remarks
1	D18038	Switch	1	
2	19M7373	Cap Screw	2	M5 x 0.8 x 20
3	14M7360	Nut	2	M5 x 0.8
4	K40003	Lock Nut	1	3/8"-16"
5	19H1801	Cap Screw	1	3/8"-16 x 2"
6	TCU12713	Spacer	1	
7	GDU10037	Bushing	1	
8	AM105809	Swivel	1	
9	TCU20956	Rod	1	
10	D12352	Lever	1	
11	14H846	Nut	2	3/8"
12	J16931	Spring Pin	1	
13	34H268	Roll Pin	1	
14	TCA15174	Arm	1	
15	TCA15070	Shaft	1	
16	24H1413	Bushing	5	0.891" x 1.375" x 0.048"
17	D18079	Grip	1	
18	24H1341	Washer	1	17/32" x 15/16" x 0.060"
19	19M3804	Cap Screw	1	M10 x 1.5 x 40
20	14M7518	Flange Lock Nut	1	M10 x 1.5
21	24H1305	Washer	1	
22	M94087	Spacer Plate	3	
23	TCU20955	Turn Buckle	1	

NOTES

HYDROSTATIC PUMP DRIVE AND PTO



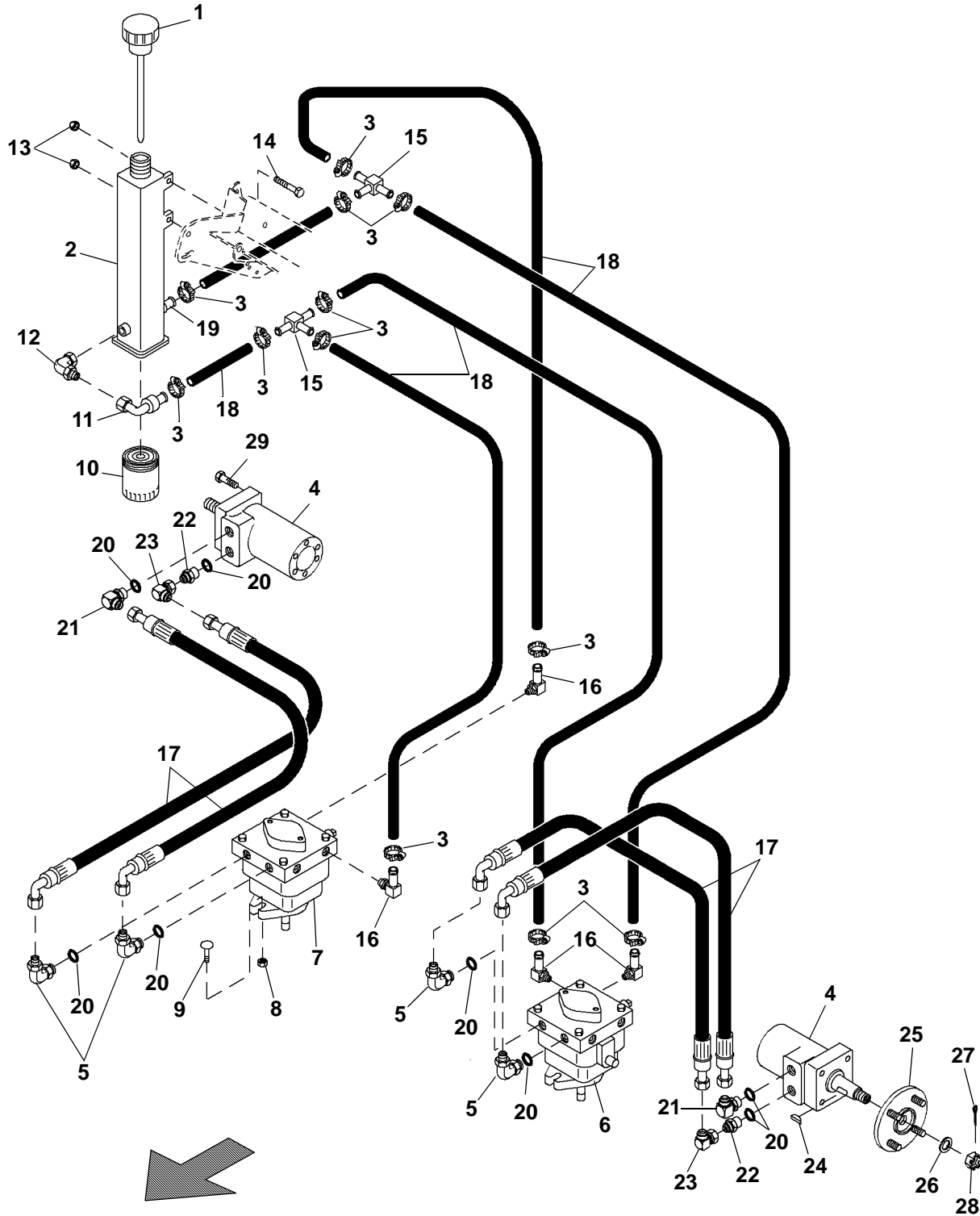
MX20222

HYDROSTATIC PUMP DRIVE AND PTO

Ref. No.	Part No.	Description	Qty.	Remarks
1	GDU10025	V-Belt	1	
2	TCA15316	Pulley, RH Pump	2	Set screws included
3	D28091	Pulley, Engine Drive	1	
4	GDA10017	PTO Clutch	1	
5	GDA10006	Bracket	1	
6	D18314	Idler	1	
7	GDA10004	Idler Post	1	
8	D18403	Bushing	2	
9	GDA10005	Idler Arm	1	
10	D18071	Spring, Idler	1	
11	D14213	Cap Screw	2	
12	E63526	Flange Nut	1	M10 x 1.5
13	403490	Ring	1	
14	19H3031	Cap Screw	1	3/8" x 2-1/2"
15	14M7400	Lock Nut	3	M10 x 1.5
16	03M7191	Carriage Bolt	1	M10 x 1.5 x 25
17	D24022	Cap Screw, PTO Clutch	1	7/16" x 2.5" Kohler
	D14252	Cap Screw, PTO Clutch	1	7/16" x 3" Kawasaki
18	D14208	Washer, Split Lock	1	
19	22H907	Set Screw	4	
20	D14160	Washer	2	
21	D18067	Key, Special	2	M5 x 28
22	19M7810	Cap Screw, Spring Anchor	1	M10 x 1.5 x 80
23	24H1305	Washer	1	
24	03M7191	Carriage Bolt	2	M10 x 1.5 x 25
25	JD7842	Grease Fitting	1	
26	K40003	Lock Nut	2	
27	D44003	Washer	1	
28	D18145	Key, Special	1	
29	D18056	Spacer, PTO Clutch	1	

NOTES

HYDROSTATIC COMPONENTS



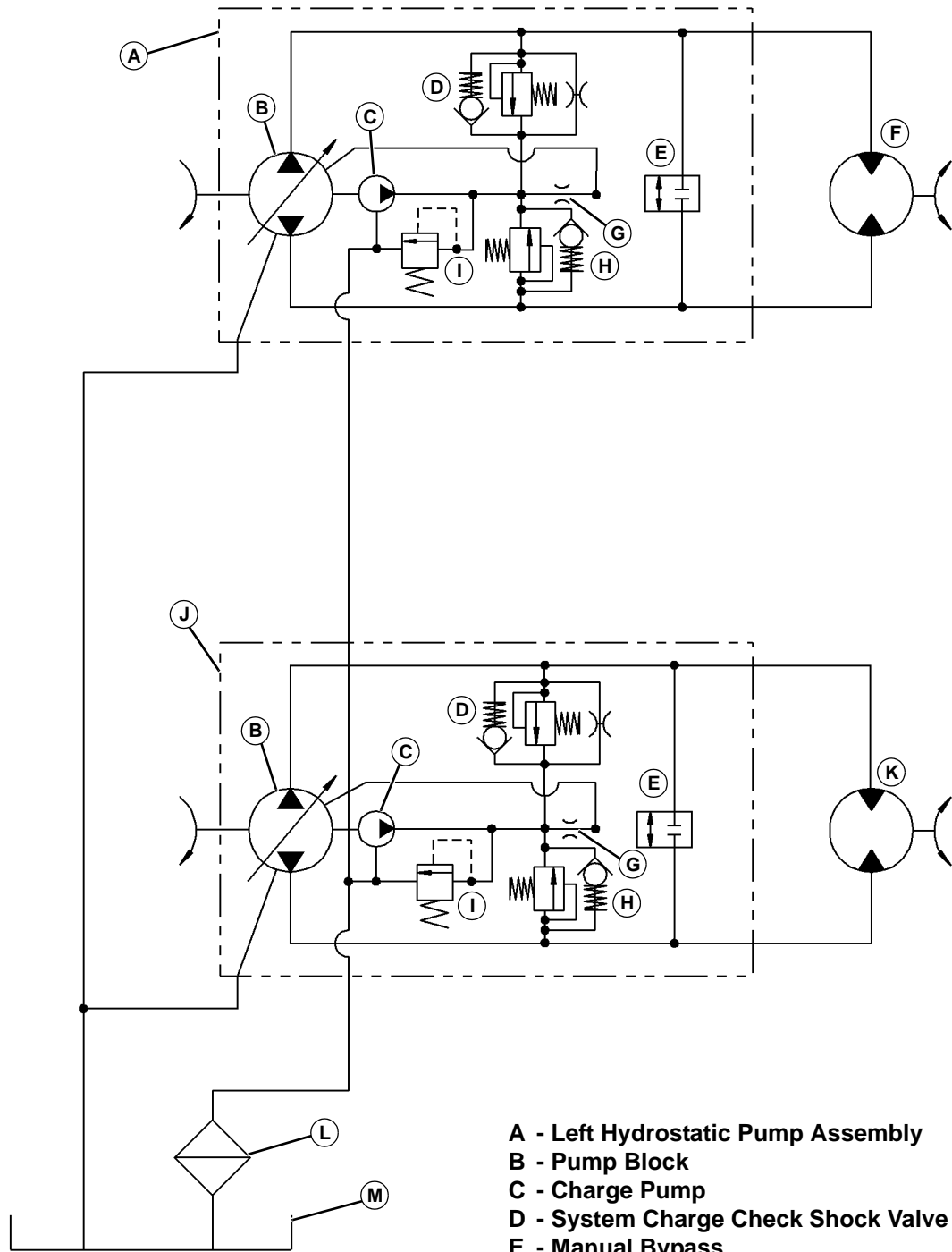
MX20223

HYDROSTATIC COMPONENTS

Ref. No.	Part No.	Description	Qty.	Remarks
1	TCA15122	Cap	1	
2	TCA15373	Hydraulic Reservoir	1	Includes decals
3	D18379	Hose Clamp	12	
4	TCA15078	Wheel Motor	2	
5	D14196	Elbow Fitting, Pump End	4	Includes O-ring
6	TCA14966	Pump, LH	1	Includes items 25-35 on page 5
7	TCA14965	Pump, RH	1	Includes items 25-35 on page 5
8	14M7518	Nut	4	M10 x 1.5
9	03M7192	Carriage Bolt, Pump Mounting	4	M10 x 1.5 x 30
10	GDA10137	Oil Filter	1	
11	GDA10066	Elbow Fitting	1	
12	313270	Elbow Fitting	1	
13	14M7517	Lock Nut, Reservoir Mounting	2	M10 x 1.5
14	19M7784	Cap Screw, Reservoir Mounting	2	M10 x 1.5 x 20
15	M86863	Tee Fitting	2	
16	D24028	Fitting	4	
17	D18394	Hose, High Pressure	4	
18	TY22552	Hose, Return	AR	25 ft bulk (cut to length)
19	GDA10065	Adapter	1	
20	R26375	O-Ring	8	Included with fitting
21	231047	90° Fitting, Upper	2	Includes O-ring
22	231104	Straight Adapter, Lower	2	Includes O-ring
23	231046	90° Fitting, Lower	2	
24	D18206	Key	2	
25	TCA15874	Hub	2	
26	24M7158	Washer	2	
27	11H237	Cotter Pin	2	
28	TCU19166	Castle Nut	2	
—	M78480	Tie Straps	AR	Not shown
29	D14280	Bolt	8	3/8-16 x 1

NOTES

HYDRAULIC SCHEMATIC

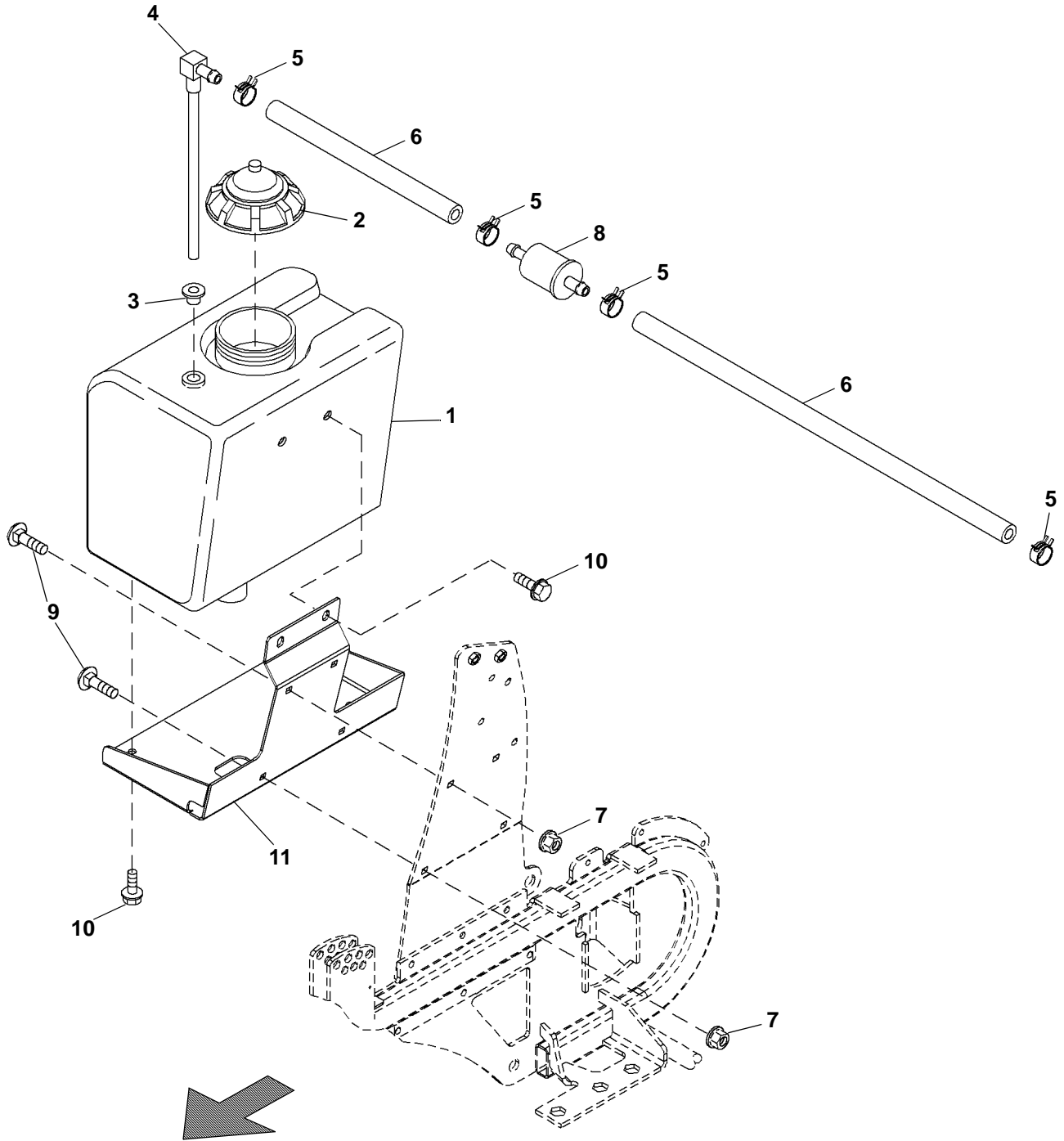


- A - Left Hydrostatic Pump Assembly
- B - Pump Block
- C - Charge Pump
- D - System Charge Check Shock Valve (Reverse)
- E - Manual Bypass
- F - Left Wheel Motor
- G - Cooling Orifice
- H - System Charge Check Shock Valve (Forward)
- I - Charge Relief Valve
- J - Right Hydrostatic Pump Assembly
- K - Right Wheel Motor
- L - Inlet Filter
- M - Hydraulic Reservoir

MX20151

NOTES

FUEL TANK AND LINES



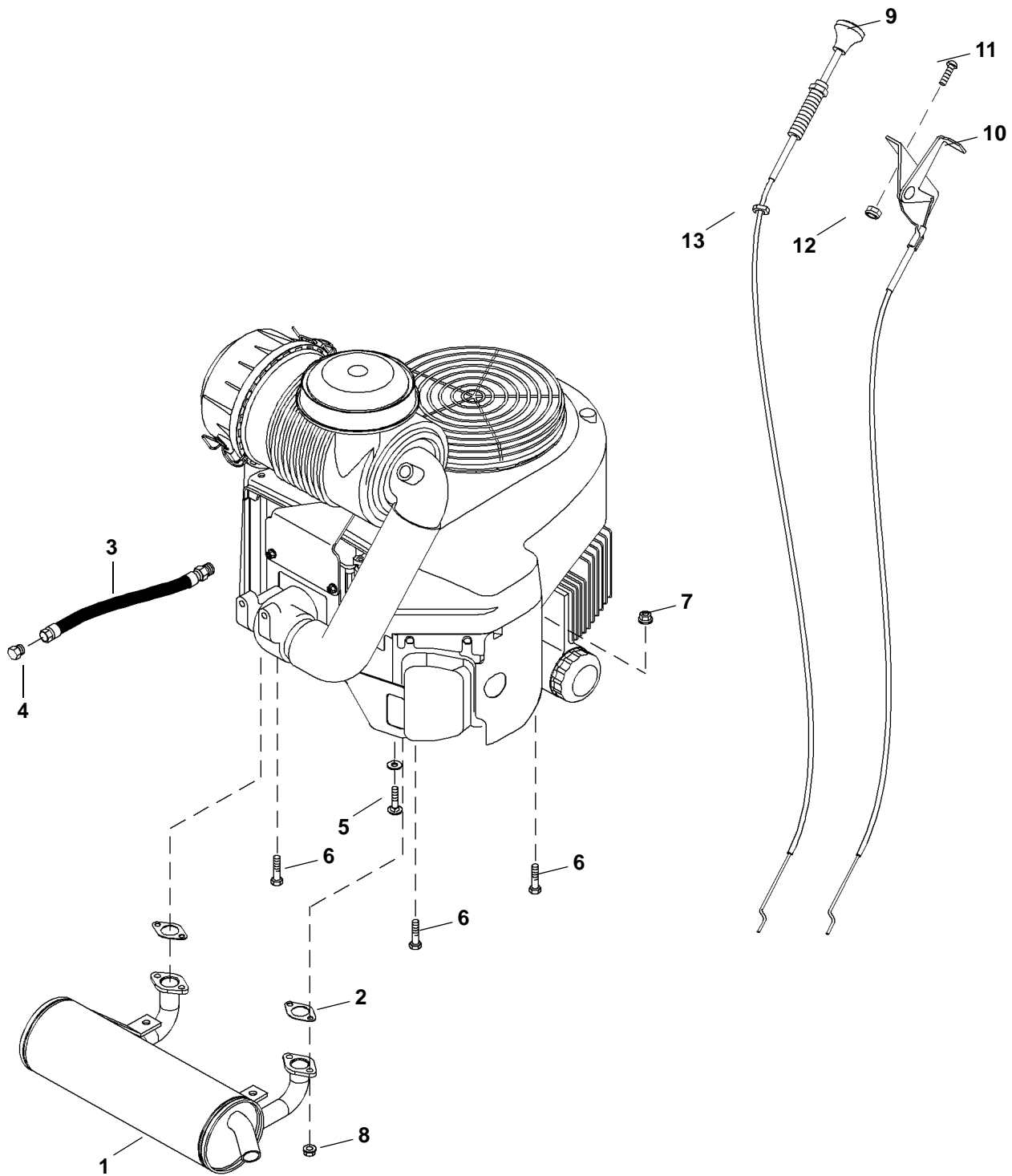
MX20229

FUEL TANK AND LINES

Ref. No.	Part No.	Description	Qty.	Remarks
1	200009	Fuel Tank	1	Includes 2, 3, & 4
2	D18097	Cap, Fuel	1	
3	D18144	Grommet	1	
4	TCA15048	Fuel Pickup	1	
5	M68342	Clamp	5	25 ft bulk (cut to length)
6	TY22551	Hose, Fuel, 1/4 in. SAE 30-R7	AR	
7	14M7400	Nut	4	
8	AM116304	Filter	1	
9	03M7191	Cap Screw	4	
10	19M7865	Cap Screw	6	
11	TCU18489	Bracket	1	

NOTES

KOHLER ENGINE AND RELATED COMPONENTS



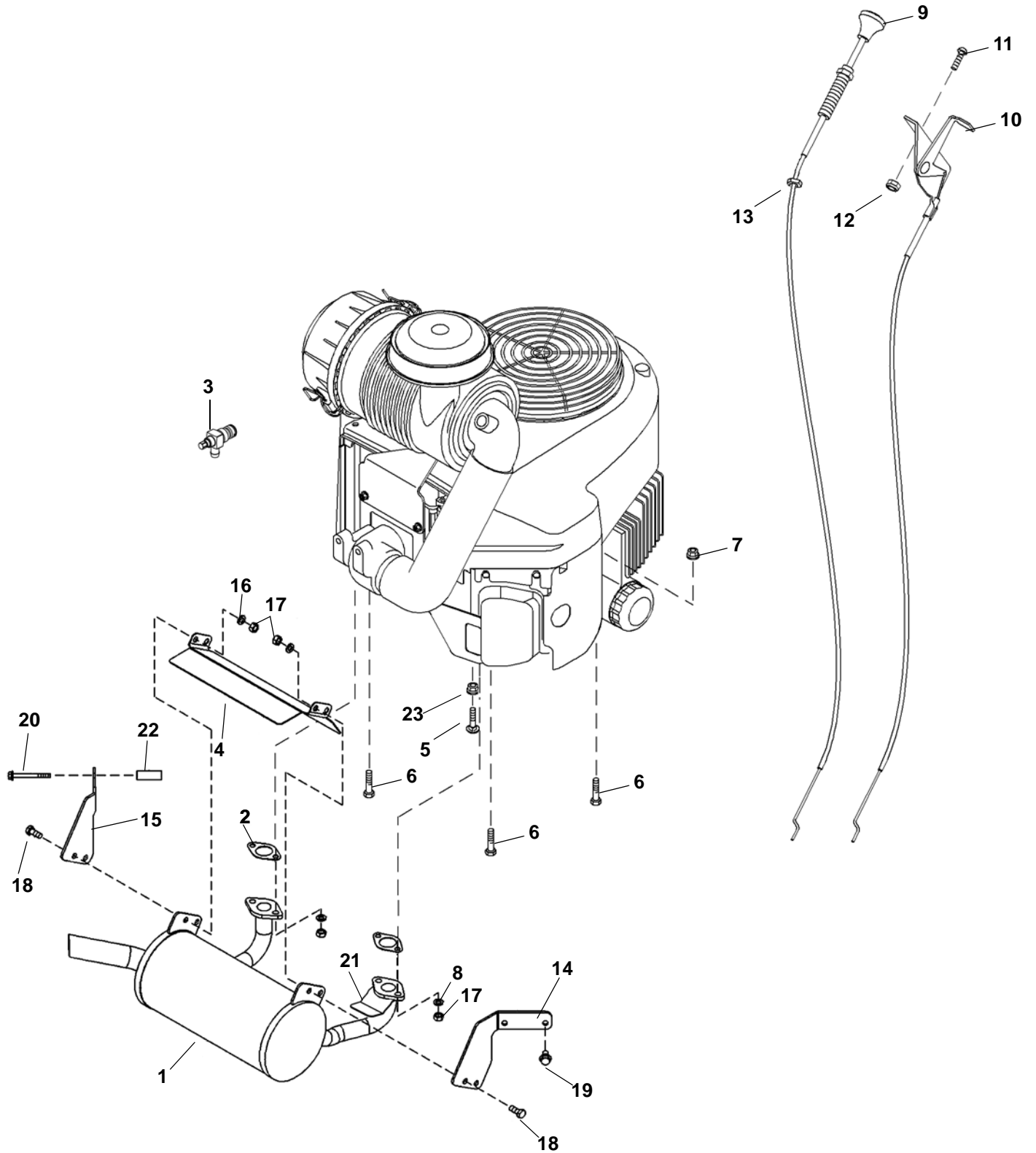
KOHLER ENGINE AND RELATED COMPONENTS

Ref. No.	Part No.	Description	Qty.	Remarks
1	D28121	Muffler	1	
2	*	Gasket	1	
3	TCA15389	Oil Drain Hose	1	
4	X6PMTX-S	Oil Drain Plug	1	
5	03M7188	Carriage Bolt, Engine Mounting	1	M8 x 1.25 x 40
6	19M8317	Cap Screw, Engine Mounting	3	M8 x 1.25 x 40
7	14M7396	Flange Lock Nut, Engine Mounting	4	M8 x 1.25
8	14M7298	Flange Nut, Muffler	4	M8 x 1.25
9	D18427	Cable, Choke	1	
10	D18359	Cable, Throttle	1	
11	D24020	Bolt, Throttle Cable	2	0.164" x 1/2"
12	M63431	Lock Nut, Throttle Cable	2	0.164"
13	14H846	Nut, Choke Cable	1	3/8"
14	12M7032	Washer	1	

* NOTE: See authorized KOHLER servicing engine dealer for engines and engine related service items. Always reference the engine model number when ordering parts.

NOTES

KAWASAKI ENGINE AND RELATED COMPONENTS

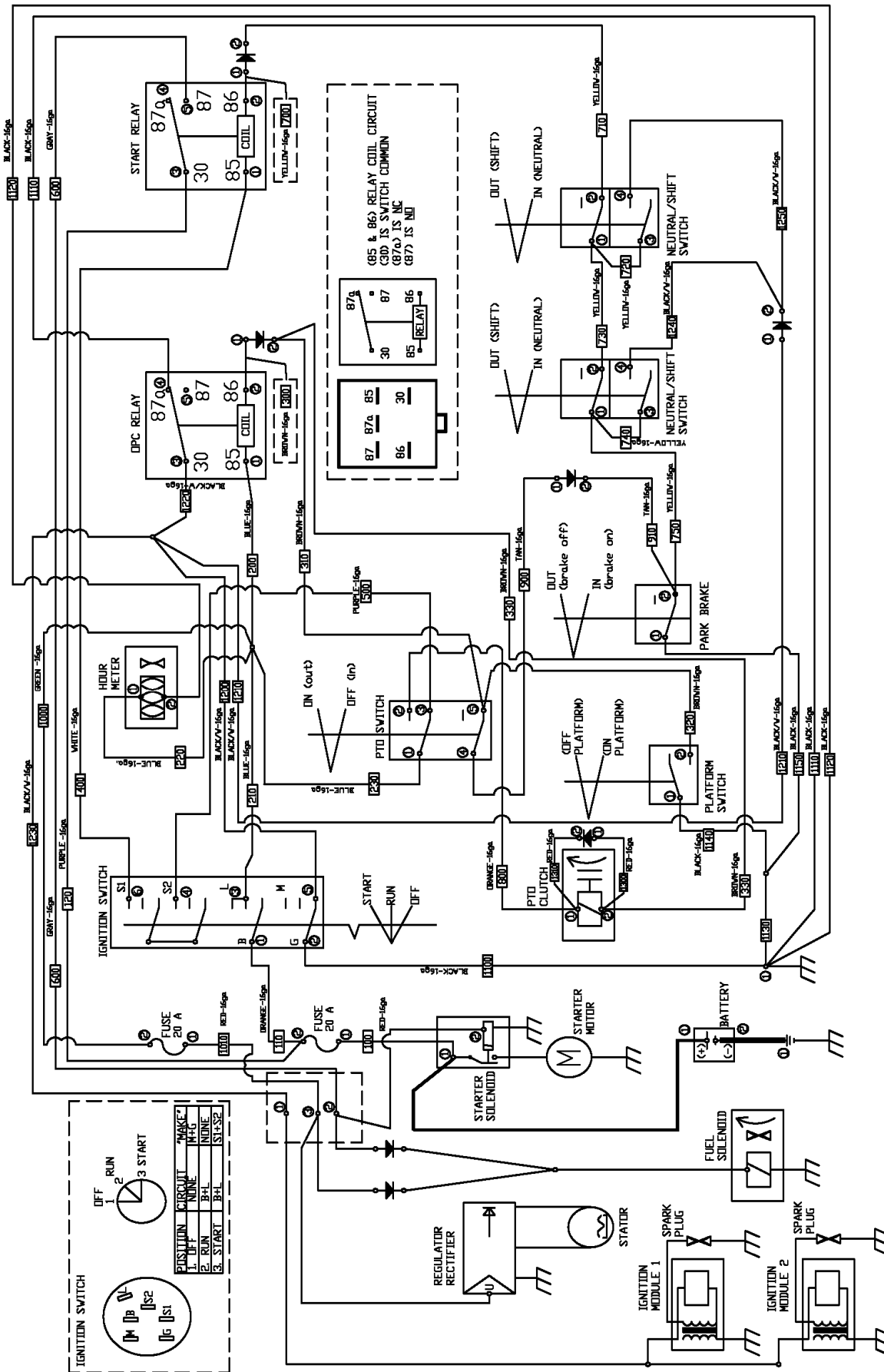


Ref. No.	Part No.	Description	Qty.	Remarks
1	TCA15321	Muffler	1	
2	191601	Gasket Kit,	2	Includes Items 2, 8, & 17
3	TCA16240	Oil Drain Fitting	1	
4	TCU19288	Shield, Muffler	1	
5	03M7188	Carriage Bolt, Engine Mounting	1	M8 x 1.25 x 40
6	19M8317	Cap Screw, Engine Mounting	3	M8 x 1.25 x 40
7	14M7396	Flange Lock Nut, Engine Mounting	4	M8 x 1.25
8	12M7065	Lock Washer	4	5/16"
9	D18427	Cable, Choke	1	
10	TCA15051	Cable, Throttle	1	
11	D24020	Bolt, Throttle Cable	2	0.164" x 1/2"
12	M63431	Lock Nut, Throttle Cable	2	0.164"
13	14H846	Nut, Choke Cable	1	3/8"
14	TCU15761	Bracket, Muffler Support Rh	1	
15	TCU15762	Bracket, Muffler Support Lh	1	
16	12H303	Washer, Helical Spring Lock	4	
17	14M7273	Nut	4	M8
18	19M7139	Screw, Hex, Iso4017	4	M8 x 1.25 x 20
19	19M7865	Screw, Hex, FI	2	M8 x 1.25 x 16
20	19M8040	Screw, Flanged Metric	2	M6 x 60 (HS, Head Marked 10.9)
21	191365	Shield, Heat	1	
22	M146170	Spacer	2	
23	14M7298	Nut	1	M8 Flange Nut

* NOTE: See authorized Kawasaki servicing engine dealer for engines and engine related service items. Always reference the engine model number when ordering parts.

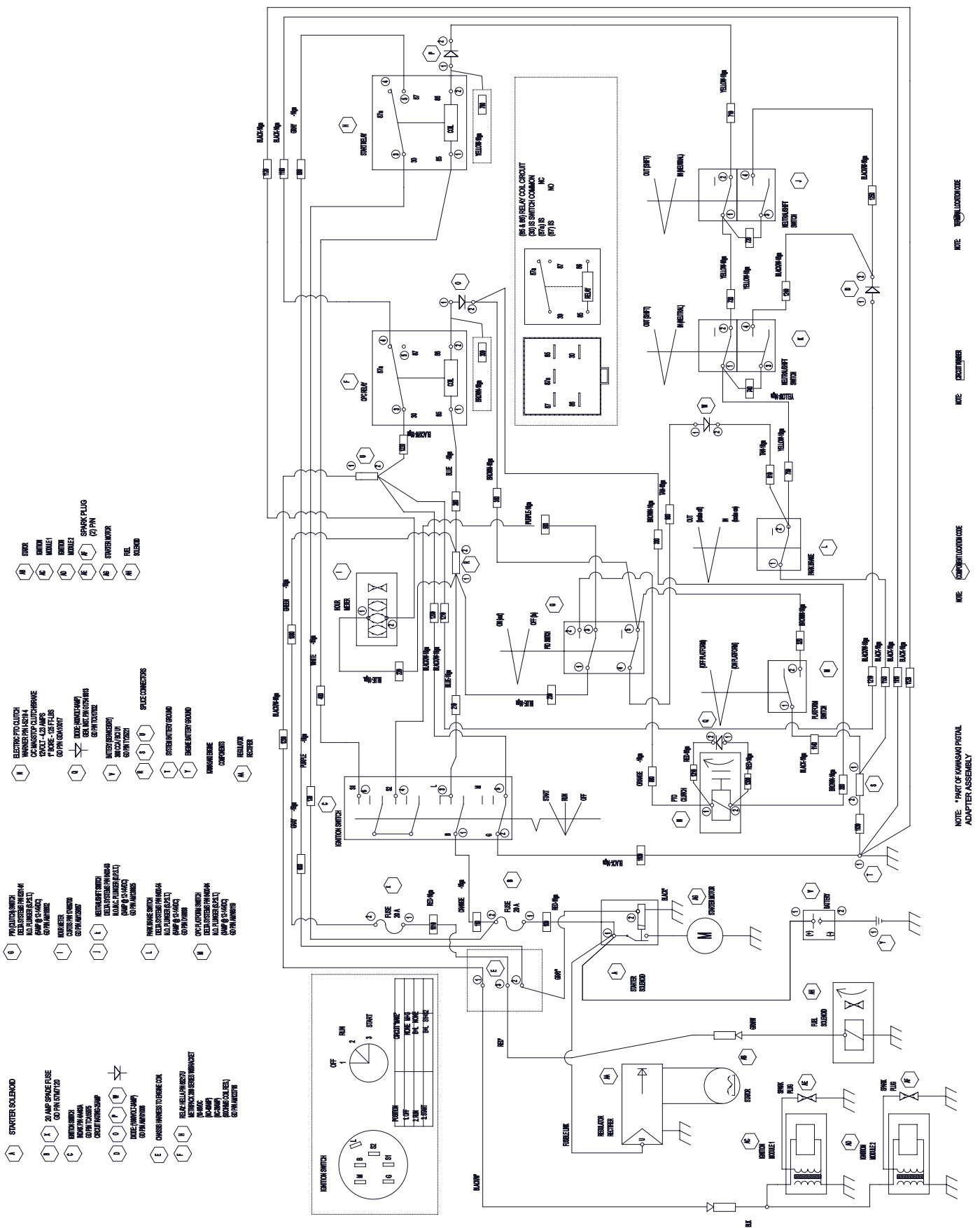
NOTES

KOHLER LOGIC SCHEMATIC

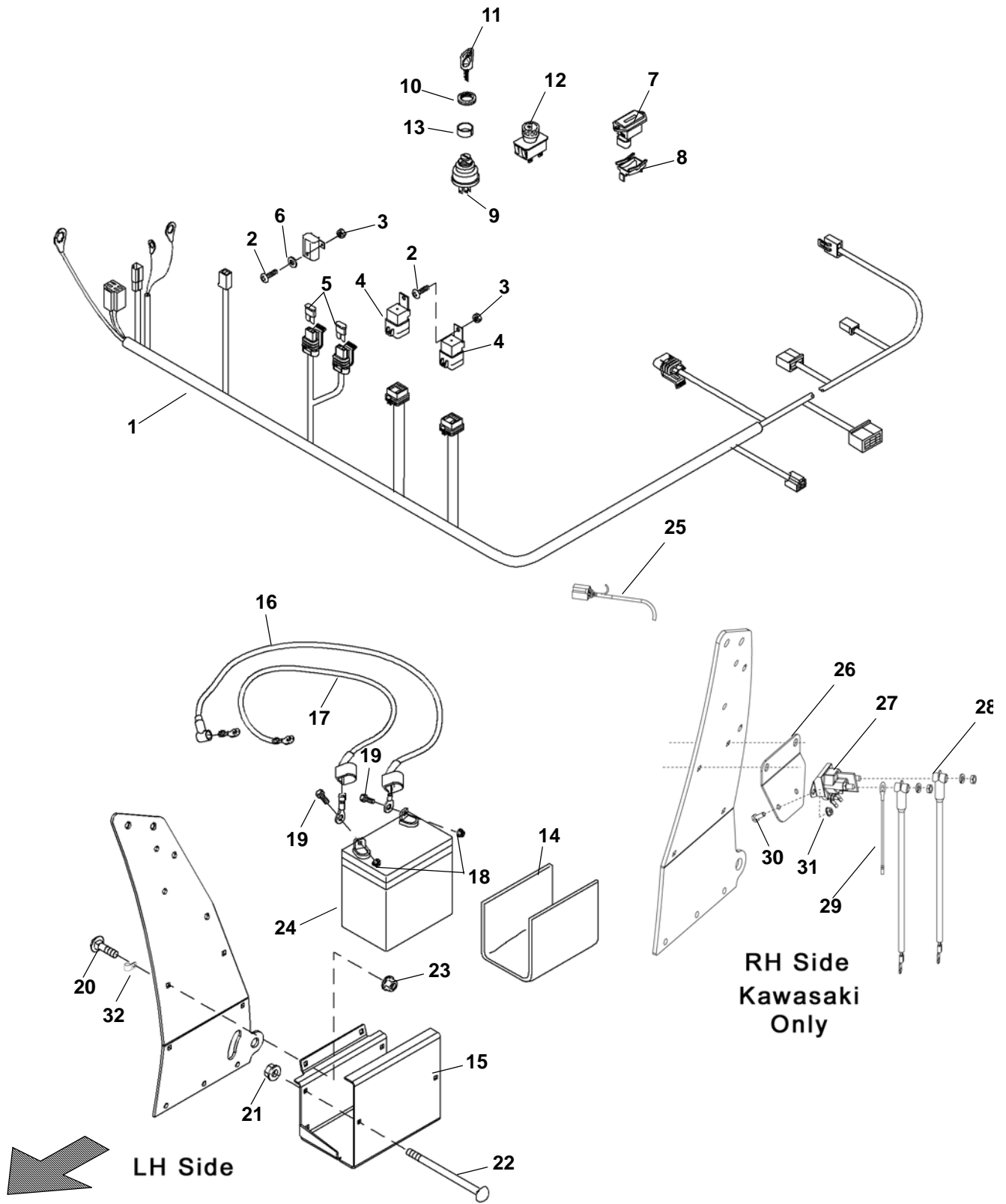


NOTES

KAWASAKI LOGIC SCHEMATIC



BATTERY, ELECTRICAL HARNESS AND COMPONENTS

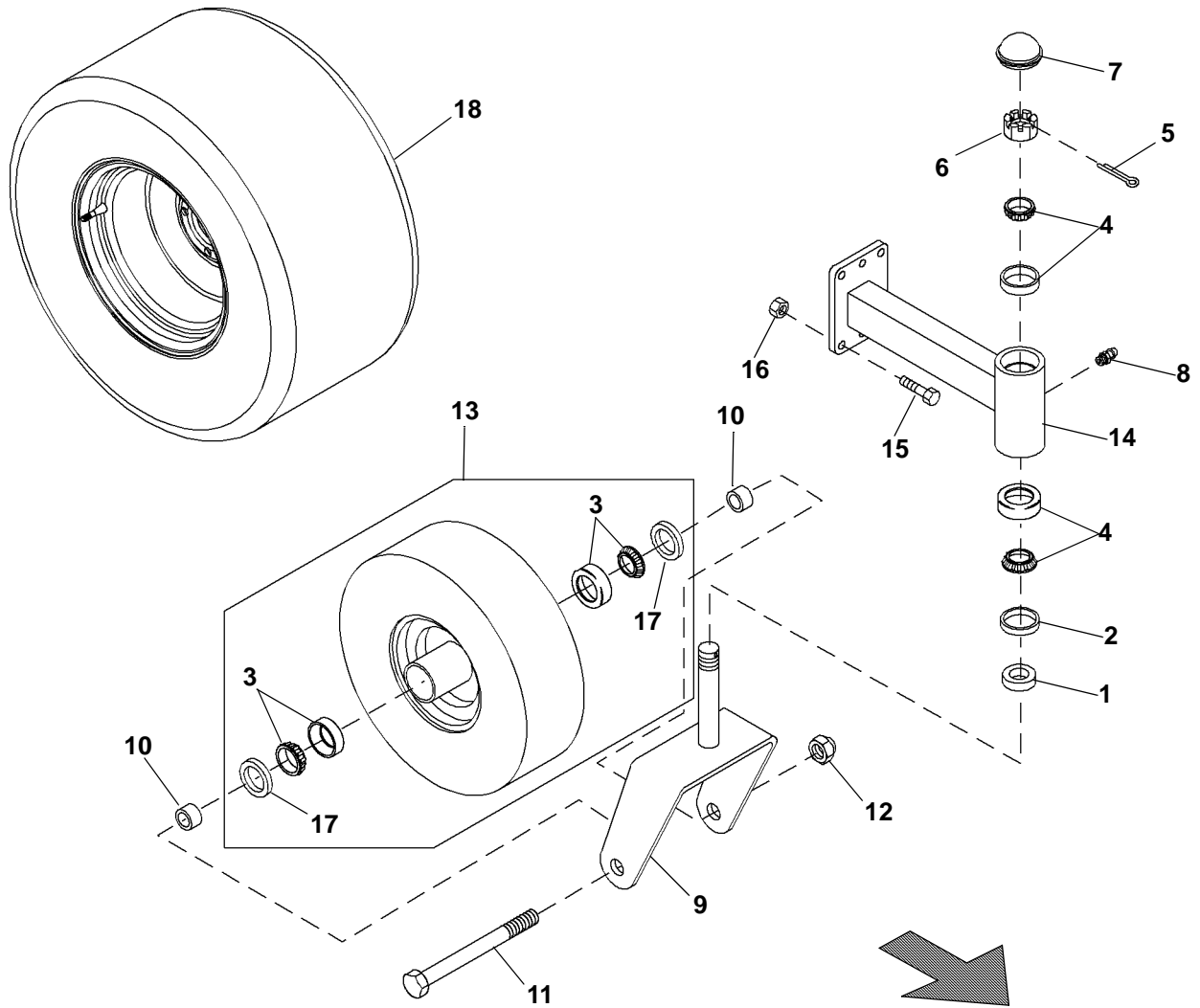


BATTERY, ELECTRICAL HARNESS AND COMPONENTS

Ref. No.	Part No.	Description	Qty.	Remarks
1	TCA15061	Wiring Harness	1	Main
2	19M7372	Cap Screw	2	M5 x 0.8 x 16
3	14M7360	Nut	2	M5 x 0.8
4	AM123716	Relay	2	
5	57M7120	Fuse	2	20A
6	24H1283	Washer	1	
7	AM129887	Hour Meter	1	
8	TCU13098	Clip	1	
9	TCA15075	Key Switch	1	
10	M110159	Nut	1	
11	TCU17401	Ignition Key	1	
12	Am118802	Switch, PTO	1	
13	M72685	Spacer	1	
14	D28159	Isolator Pad	1	Battery
15	200003	Battery Box	1	
16	D18318	Cable, Positive	1	
17	D18319	Cable, Negative	1	
18	14M7396	Flange Nut	2	M8 x 1.25
19	03M7184	Carriage Bolt	2	M8 x 1.25 x 20
20	03M7184	Carriage Bolt	4	M8 x 1.25 x 20
21	H110730	Flange Nut	2	5/16"
22	03H1832	Cap Screw	2	5/16" x 6"
23	14M7396	Nut	4	M8
24	AM124356	Dry Charged Battery	1	
25	200074	Adapter Assy, Kawasaki	1	
26	200069	Solenoid Mounting Plate	1	
27	180640	Start Solenoid	1	
28	180842	Starter Cable	1	12"
29	GDA10060	Fusible Link	1	20A
30	960001	Capscrew, 1/4 x .75	2	
31	964040	Locknut, 1/4" Whiz	2	
—	M78480	Tie Strap	AR	Not shown

NOTES

CASTER WHEELS AND REAR WHEELS



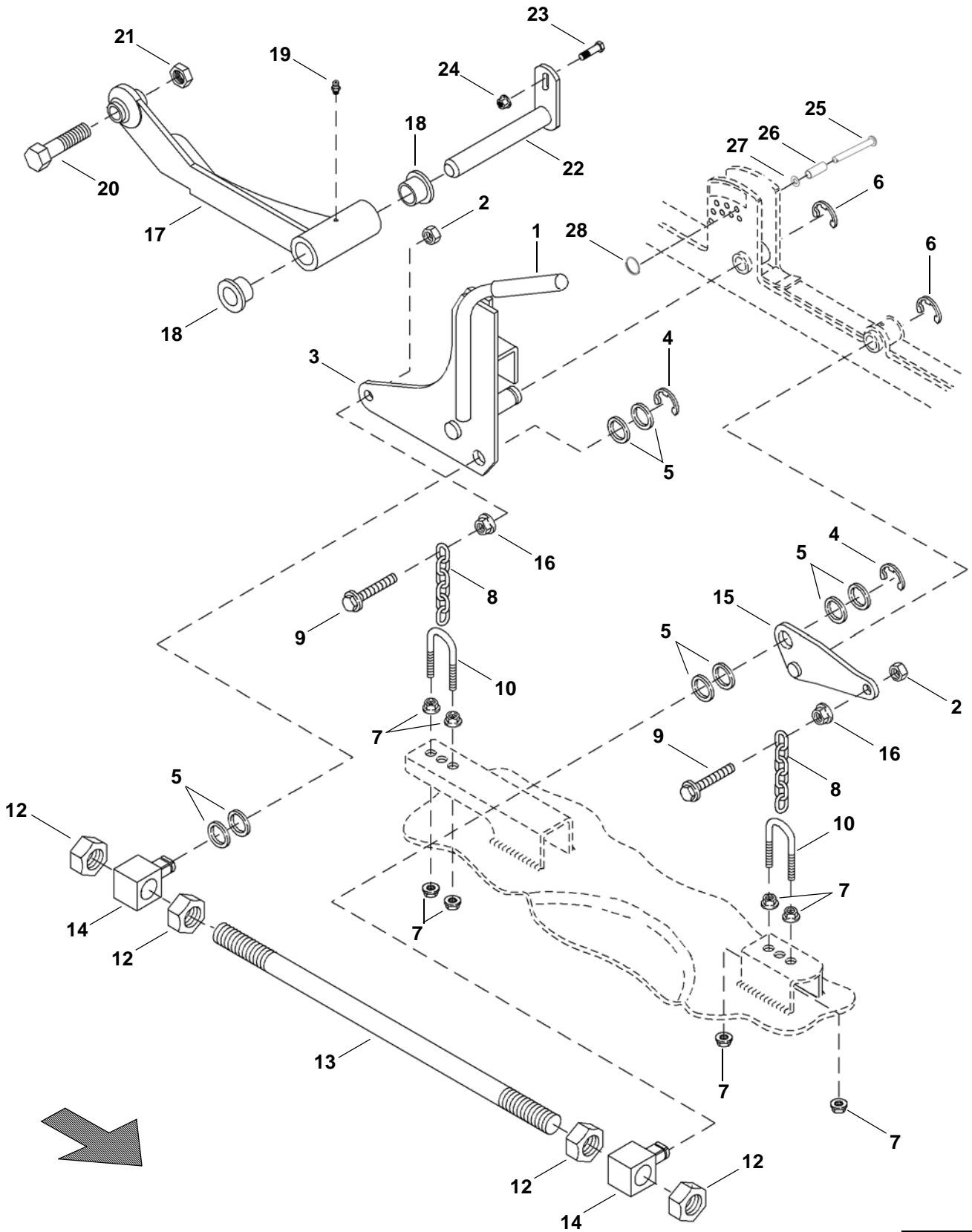
MX20207

CASTER WHEELS AND REAR WHEELS

Ref. No.	Part No.	Description	Qty.	Remarks
1	TCU17863	Spacer, Caster Bushing	2	
2	E14625	Seal	2	
3	D38035	Bearing Assembly, Caster Wheel	4	Cup and cone
4	D28051	Bearing Assembly, Caster Yoke	4	Cup and cone
5	11M7083	Cotter Pin	2	
6	A12188	Castle Nut	2	1"-14
7	M135582	Cap, Bearing	2	
8	JD7844	Grease Fitting	2	
9	200049	Yoke	2	
10	D33007	Spacer, Caster Wheel	4	
11	D28097	Cap Screw	2	3/4"-16 x 8"
12	D24008	Nut	2	3/4"-16
13	200013	Caster Wheel and Tire Assembly	2	Includes items 3 and 17
14	200048	Caster Arm	2	
15	19M7785	Cap Screw	12	M10 x 1.5 x 25
16	14M7518	Nut	12	M10 x 1.5
17	D38065	Seal	4	
18	200011	Wheel and Tire Assembly, Rear	2	48" deck, 20 x 8-8 tire
	200012	Wheel and Tire Assembly, Rear	2	52" & 61" deck, 20 x 10-8 tire
—	JD26	Lug Nut, Rear Wheel	8	Not shown

NOTES

MOWER DECK LIFT LINKAGE



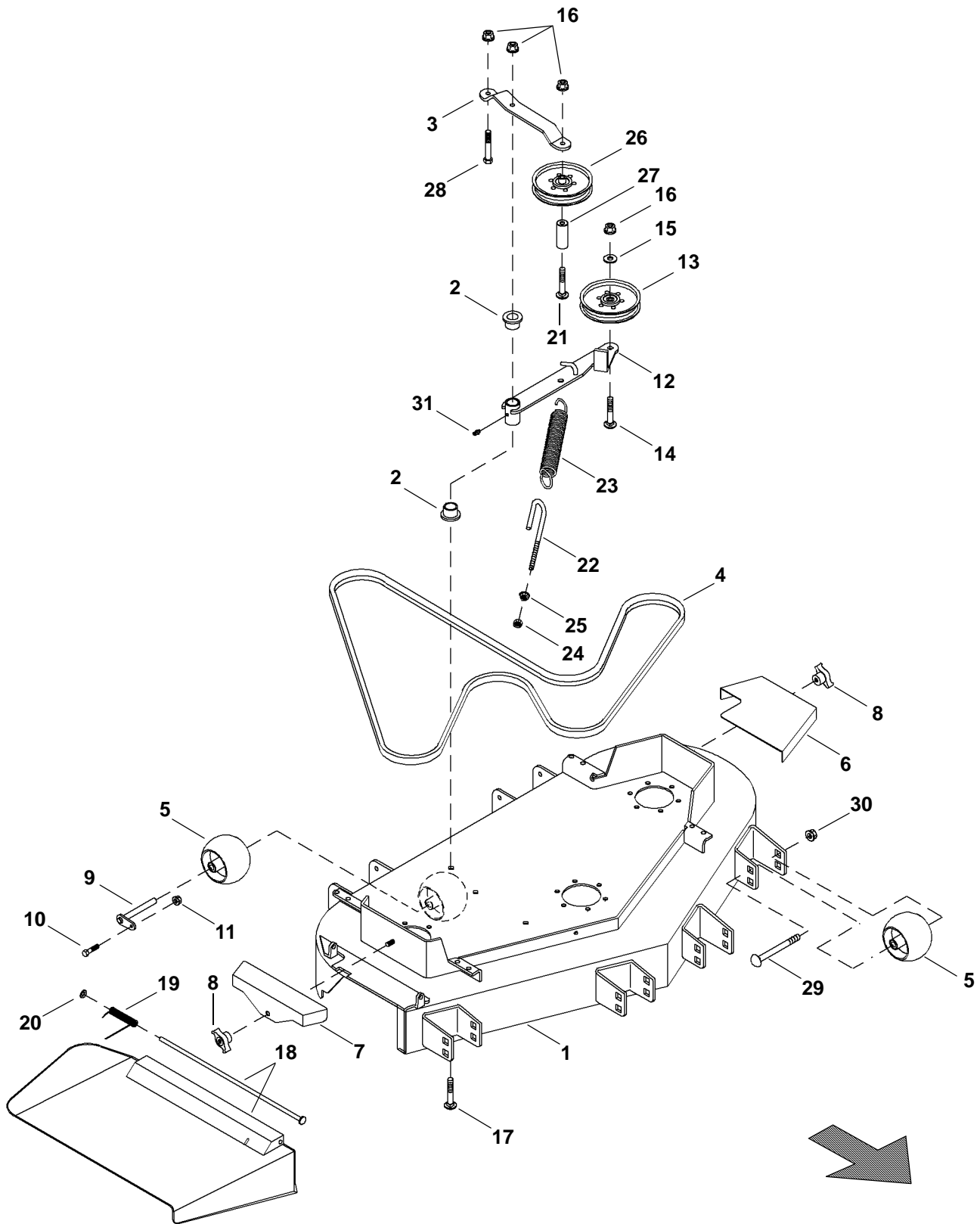
MX20232

MOWER DECK LIFT LINKAGE

Ref. No.	Part No.	Description	Qty.	Remarks
1	D18225	Grip	2	
2	E63526	Nut	4	M10 Nut
3	GDA10010	Lift Arm, LH Rear	1	
	GDA10009	Lift Arm, RH Rear	1	
4	P46402	Snap Ring	4	
5	24H1413	Washer	16	
6	R27434	Snap Ring	4	
7	N10215	Nut	8	3/8"
8	150749	Chain, Deck Lift	4	
9	19M8162	Cap Screw	4	M10 x 1.5 x 40
10	GDU10048	U-Bolt	4	
11				
12	14H1058	Nut	8	3/4"
13	TCU15817	Rod, Deck Lift	2	
14	200075	Swivel	4	
15	GDA10008	Lift Arm, LH Front	1	
	GDA10007	Lift Arm, RH Front	1	
16	E63526	Nut	4	M10 x 1.5
17	TCA14877	Thrust Arm, LH, 48" Deck	1	
	TCA14876	Thrust Arm, RH, 48" Deck	1	
	TCA14879	Thrust Arm, LH, 52" Deck	1	
	TCA14878	Thrust Arm, RH, 52" Deck	1	
	TCA14881	Thrust Arm, LH, 61" Deck	1	
	TCA14880	Thrust Arm, RH, 61" Deck	1	
18	M83541	Bushing	4	
19	JD8744	Grease Zerk	3	
20	19H3280	Bolt	2	3/4-16 x 3 HHCS
21	D24008	Nut	2	3/4-16 PTHN
22	TCA13292	Pivot Pin, Thrust Arm	2	
23	03M7185	Bolt	2	1/4-20 x 1 CHCS
24	14M7396	Nut	2	1/4-20
25	M137523	Pin, Clevis	2	
26	TCU15892	Bushing	2	
27	H143731	Nut, Push	2	
28	M88183	Ring, Locking	2	

NOTES

MOWER DECK



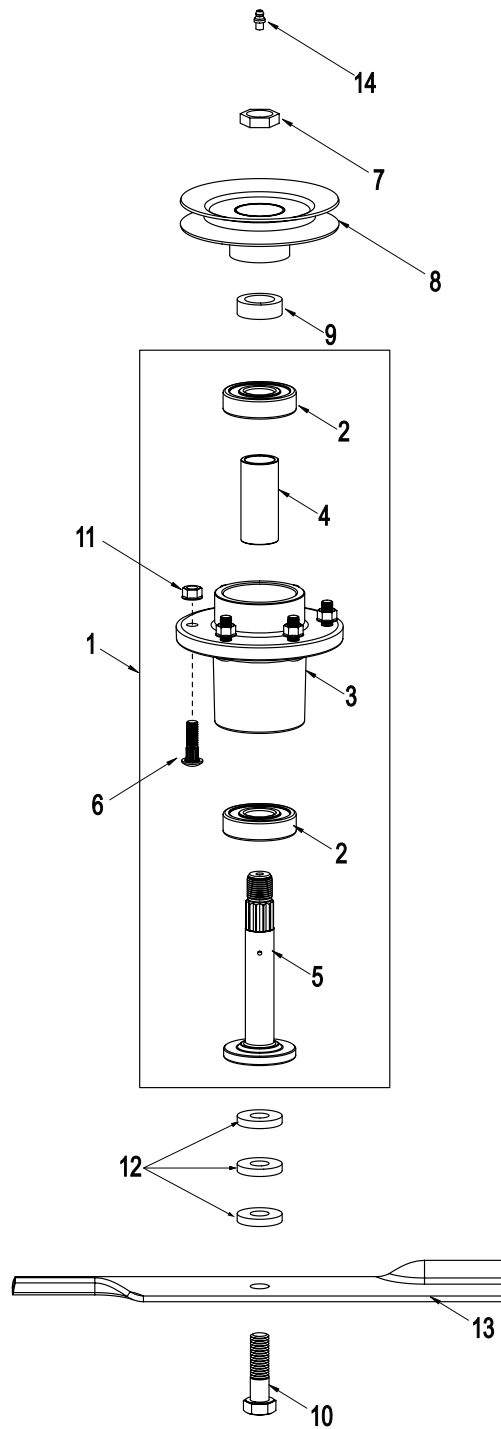
MX20240

MOWER DECK

Ref. No.	Part No.	Description	Qty.	Remarks
1	200023	Mower Deck, 48" S/O	1	
	200025	Mower Deck, 52" S/O	1	
	200027	Mower Deck, 61" S/O	1	
2	TCU14540	Bushing	2	
3	TCU18344	Support Strap	1	
4	TCU18847	Belt, Engine-to-Blades, 48" Deck	1	
	TCU18848	Belt, Engine-to-Blades, 52" Deck	1	
	TCU18849	Belt, Engine-to-Blades, 61" Deck	1	
5	TCU18744	Roller, Anti-Scalp	2	48" and 52" deck
	TCU18744	Roller, Anti-Scalp	6	61" deck
6	200050	Belt Cover, LH	1	48" and 52" deck
	200051	Belt Cover, LH	1	61" deck
7	200052	Belt Cover, RH	1	48" deck
	200050	Belt Cover, RH	1	52" deck
	200051	Belt Cover, RH	1	61" deck
8	M119352	Knob, Belt Cover	2	
9	GDA10103	Pivot, Anti-Scalp Roller	2	
10	03H1729	Bolt	2	1/4-20 x 1 CHCS
11	H122207	Nut	2	1/4-20 PTFHN
12	TCA15346	Arm, Idler Engine-to-Blade	1	
13	D18032	Pulley, Flat Tension Idler	1	
14	03H1658	Bolt	1	3/8-16 x 2-1/4 CHCS
15	24H1305	Washer	1	3/8 SAE
16	K40003	Nut	4	3/8-16 PTHN
17	03H1836	Bolt	1	3/8-16 x 4.00 CHCS
18	AM128170	Discharge Chute	1	48" deck
	AM128243	Discharge Chute	1	52" and 61" deck
19	M132768	Spring, Torsional Discharge Chute	1	
20	H141123	Clip, Retainer	1	
21	03H1809	Bolt	1	3/8-16 x 3-3/4 CHCS
22	D23058	J-Hook	1	
23	N242189	Spring, Deck Belt Tension	1	
24	14H1090	Nut	1	3/8-16 Nyloc
25	N10215	Nut	1	3/8-16 PTHN
26	D28050	Pulley, Flat Blade-to-Blade	1	
27	TCU18742	Spacer, Blade-to-Blade Pulley	1	
28	03H1480	Bolt	1	3/8-16 x 1-1/4 CHCS
29	03H1853	Bolt	4	61" deck only, 1/2 x 4-1/2 x 13 CHCS
30	E62934	Flange Lock Nut	4	61" deck only, 1/2-13
31	JD7844	Grease Zerk	1	

NOTES

MOWER DECK SPINDLES



MOWER DECK SPINDLES

Ref. No.	Part No.	Description	Qty.	Remarks
1	200041	Spindle Assembly	1	Includes items 2, 3, 4, 5, 6, 14 1.000 x 1.250 x 2.772 3/8-16 x 1.25 Rib 5/8-11 x 2.25 Grade 8 3/8-16 Std Hex Gr5
2	200046	Ball Bearing	2	
3	200042	Housing	1	
4	200044	Spacer	1	
5	200043	Shaft, Spindle	1	
6	200045	Bolt	6	
7	D13055	Nut, Pulley (Special)	3	
8	D18209	Pulley, Cutter Housing, 48" Deck	3	
	D18084	Pulley, Cutter Housing, 52" Deck	3	
	D18211	Pulley, Cutter Housing, 61" Deck	3	
9	D13024	Spacer, Pulley	3	
10	967347	Bolt, Blade	3	
11	960502	Nut	18	
12	D18055	Spacer, Blade Bolt	9	
13	GDU10230	16.5" Blade, 48" Deck	3	
	GDU10231	18.0" Blade, 52" Deck	3	
	GDU10232	21.0" Blade, 61" Deck	3	
14	200047	Zerk, Grease S/O	1	

NOTES

LABELS AND DECALS



2

1

3

⚠ DANGER Do not mow without discharge chute or entire grass catcher in place.

⚠ PELIGRO No usar la máquina sin el tubo de descarga o sin el recogedor de pasto en su lugar.

HD17631

NO STEP

4

⚠ WARNING
To avoid injury from tipover, drive across slopes, not up and down. If machine stops going uphill, stop blades and back down slowly.

⚠ ADVERTENCIA
Para evitar las lesiones causadas por la volcadura de la máquina, viajar en sentido transversal en vez de hacia arriba y abajo. Si la máquina se para mientras se sube una pendiente, detener las cuchillas y bajar lentamente en retroceso.

TCU15907

5

MAY BE COVERED BY ONE OR MORE OF THE FOLLOWING PATENT(S):
5,343,678; 5,507,138; 5,600,944; 5,765,347; 5,964,082; 6,085,504; 6,094,897; 6,189,305; 6,189,304; 6,404,515; 6,625,965; 6,862,872

200037

7

⚠ WARNING Hot surface

⚠ ADVERTENCIA Superficie caliente



10

⚠ CAUTION
HELP AVOID INJURY
• Operator training required
• Read operator's manual
• Keep shields in place
• Never carry riders
• Keep people a safe distance away
• Maintain all safety devices
• Before leaving machine:
- Stop engine - Set park brake - Remove key

⚠ ATENCION
AYUDAR A EVITAR LESIONES
• Se requiere entrenamiento del operador
• Leer el manual del operador
• Mantener los escudos en su lugar
• No llevar pasajeros
• Mantener a las demás personas a una distancia prudente
• Mantener los dispositivos de seguridad en buen estado
• Antes de abandonar de la máquina:
- Apagar el motor - Aplicar el freno de estacionamiento - Sacar la llave

TCU1081

8

Scorpion

12

⚠ DANGER To avoid injury from rotating blades and thrown objects, stay clear of deck edge.

⚠ PELIGRO Para evitar lesiones causadas por las cuchillas y objetos lanzados, mantenerse alejado del borde de la plataforma de corte.

MI21729

13

⚠ CAUTION
BE SAFE! TO AVOID A FIRE HAZARD
REMOVE ALL LEAVES, GRASS AND DEBRIS FROM ENGINE, HYDRO PUMPS AND MOTORS, PULLEYS, BELTS, HOSES, ENGINE DECK AND CUTTER DECK

11

⚠ WARNING To avoid injury from rotating belts, keep all shields and guards in place.

⚠ ADVERTENCIA Para evitar ser lesionado por las correas en movimiento, mantener todas los escudos y protectores en su lugar.

TCU1081

14

⚠ DANGER To avoid injury from rotating blades and thrown objects, stay clear of deck edge and keep others away. Do not mow without discharge chute or entire grass catcher in place.

⚠ PELIGRO Para evitar sufrir lesiones causadas por cuchillas giratorias y objetos lanzados, mantenerse alejado del borde de la plataforma de corte y mantener a las demás personas alejadas de la máquina. No usar la máquina sin el tubo de descarga o sin el recogedor de pasto en su lugar.

MI21729

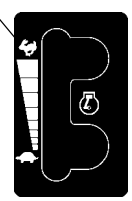
15 **48**

16 **52**

17 **61**

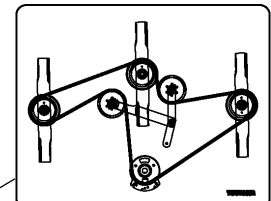
18

19



21

HYDRO OIL RESERVOIR
USE ONLY QUAKER STATE 5W50 SYNTHETIC OIL OR EQUIVALENT



22

⚠ WARNING HOT SURFACE

23

BLADE RELEASE

ON OFF

⚠ CAUTION
BEFORE OPERATING READ OPERATORS MANUAL AND SAFETY INSTRUCTIONS

LABELS AND DECALS

Ref. No.	Part No.	Description	Qty.	Remarks
1	181000	Decal	1	"Great Dane"
2	M137637	Decal	1	Danger-Rotating Blades
3	D28181	Decal	1	No Step (61" only)
4	TCU15907	Decal	1	Warning-Avoid Tipover
5	200037	Decal	1	Patent
6	N/A			
7	M134406	Decal	1	Warning-Hot Surface
8	181600	Decal	3	Scorpion
9	TCU16323	Decal	1	Park Brake
10	TCU14840	Decal	1	General Caution
11	TCU51051	Decal	2	Danger-Rotating Belts
12	M131739	Decal	2	Danger-Blade Contact
13	D18372	Decal	1	Caution-Fire Hazard
14	M131748	Decal	1	Danger-Thrown Objects
15	191369	Decal	1	48"
16	191370	Decal	1	52"
17	200021	Decal	1	61"
18	TCU15910	Decal	1	Directional Control
19	TCU15911	Decal	1	Cut Height, LH
	TCU15912	Decal	1	Cut Height, RH
20	D18021	Decal	1	Throttle
21	D18023	Decal	1	Hydro Oil Reservoir
22	M117554	Decal	2	Warning-Hot Surface (Reservoir)
	M134406	Decal	1	Warning-Hot Surface (Belt Cover)
23	TCU16481	Decal	1	PTO / Ignition
24	TCU18852	Decal	1	Belt Path

NOTES

FORM 200035

02/21/2006



2100 J Street · Auburn, NE 68305
Phone: (402)274-8692 · Fax: (402)274-8663
E-Mail: techserv@EverRide.com
Web Site: www.EverRide.com